

Uninterruptible Power Systems

EDP70_{plus}

Model 50

30 kVA
40 kVA
50 kVA

Model 80

50 kVA
65 kVA
80 kVA



CHLORIDE
POWER PROTECTION



- True On-line Protection
- IGBT PWM Inverter
- State-of-the-Art Communications Solutions
- Input/Output Circuit Breakers
- Advanced Battery Management
- Internal Maintenance Bypass
- User Friendly, Multilingual Display
- Dual RS232 Ports
- Field Upgradeability

Environmental Specifications

Maximum Acoustical Noise Level 52 dBA at 3 feet
-8°C to 40°C Operating Temperature
Relative Humidity: 0 to 95% Noncondensing
Operation to 1,000 Meters Without Derating

Input Specifications

Voltage: Nominal \pm 20%
Frequency: 60 Hz \pm 5%
Power Factor: 0.82 Typical Without Harmonic Filter

Output Specifications

Voltage THD: < 3% for 100% Linear Loads;
< 5% for 100% Non-linear Loads
Output Regulation: \pm 1% with Balanced Load;
 \pm 3% with 100% Unbalanced Load
Frequency Regulation: \pm 0.05%

Options

ManageUPSNET Web Monitoring Software
MopUPS Network Shutdown Software
SNMP Adapter
LIFE2000 Factory Monitoring Service
External Maintenance Bypass
10% Input Harmonic Filter
Extended Warranties
Preventive Maintenance Packages

Compliance

Listed to UL 1778 and CSA C22.2 No.107.1



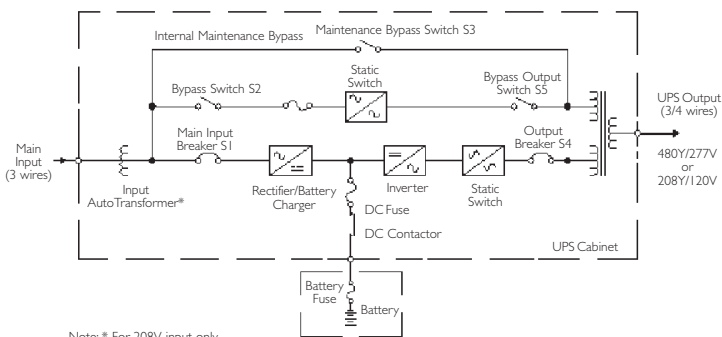
Performance and Physical Data

| MODEL 50 | Model 50 - 30 kVA | | | Model 50 - 40 kVA | | | Model 50 - 50 kVA | | |
|-----------------------------------|-------------------|----------|----------|-------------------|----------|----------|-------------------|----------|----------|
| | 2x2 | 4x2 | 4x4 | 2x2 | 4x2 | 4x4 | 2x2 | 4x2 | 4x4 |
| kVA/kW @.8 PF | 30/24 | 30/24 | 30/24 | 40/32 | 40/32 | 40/32 | 50/40 | 50/40 | 50/40 |
| Input Voltage | 208 | 480 | 480 | 208 | 480 | 480 | 208 | 480 | 480 |
| Output Voltage | 208Y/120 | 208Y/120 | 480Y/277 | 208Y/120 | 208Y/120 | 480Y/277 | 208Y/120 | 208Y/120 | 480Y/277 |
| Frequency | 60 Hz | 60 Hz | 60 Hz | 60 Hz | 60 Hz | 60 Hz | 60 Hz | 60 Hz | 60 Hz |
| Nominal Input Current | 115 | 50 | 50 | 127 | 55 | 55 | 157 | 68 | 68 |
| Maximum Input Current | 132 | 57 | 57 | 152 | 66 | 66 | 192 | 83 | 83 |
| Nominal Output Current | 83 | 83 | 36 | 111 | 111 | 48 | 138 | 138 | 60 |
| System Efficiency 100% | 87 | 88 | 88 | 87 | 88 | 88 | 87 | 88 | 88 |
| Full Load Heat Rejection (BTU/hr) | 10,600 | 10,100 | 10,100 | 12,800 | 12,100 | 12,100 | 15,200 | 14,300 | 14,300 |
| Height | 63.0 | 63.0 | 63.0 | 63.0 | 63.0 | 63.0 | 63.0 | 63.0 | 63.0 |
| Width | 35.4 | 35.4 | 35.4 | 35.4 | 35.4 | 35.4 | 35.4 | 35.4 | 35.4 |
| Depth | 28.7 | 28.7 | 28.7 | 28.7 | 28.7 | 28.7 | 28.7 | 28.7 | 28.7 |
| Weight | 1850 | 1350 | 1350 | 1850 | 1350 | 1350 | 1850 | 1350 | 1350 |

| MODEL 80 | Model 80 - 50 kVA | | | Model 80 - 65 kVA | | | Model 80 - 80 kVA | | |
|-----------------------------------|-------------------|----------|----------|-------------------|----------|----------|-------------------|----------|----------|
| | 2x2 | 4x2 | 4x4 | 2x2 | 4x2 | 4x4 | 2x2 | 4x2 | 4x4 |
| kVA/kW @.8 PF | 50/40 | 50/40 | 50/40 | 65/52 | 65/52 | 65/52 | 80/64 | 80/64 | 80/64 |
| Input Voltage | 208 | 480 | 480 | 208 | 480 | 480 | 208 | 480 | 480 |
| Output Voltage | 208Y/120 | 208Y/120 | 480Y/277 | 208Y/120 | 208Y/120 | 480Y/277 | 208Y/120 | 208Y/120 | 480Y/277 |
| Frequency | 60 Hz | 60 Hz | 60 Hz | 60 Hz | 60 Hz | 60 Hz | 60 Hz | 60 Hz | 60 Hz |
| Nominal Input Current | 157 | 68 | 68 | 208 | 90 | 90 | 258 | 112 | 112 |
| Maximum Input Current | 192 | 83 | 83 | 254 | 110 | 110 | 311 | 135 | 135 |
| Nominal Output Current | 139 | 139 | 60 | 180 | 180 | 78 | 222 | 222 | 96 |
| System Efficiency 100% | 86 | 88 | 88 | 86 | 88 | 88 | 86 | 88 | 88 |
| Full Load Heat Rejection (BTU/hr) | 15,200 | 14,300 | 14,300 | 19,400 | 18,600 | 18,600 | 23,000 | 22,100 | 22,100 |
| Height | 63.0 | 63.0 | 63.0 | 63.0 | 63.0 | 63.0 | 63.0 | 63.0 | 63.0 |
| Width | 35.4 | 35.4 | 35.4 | 35.4 | 35.4 | 35.4 | 35.4 | 35.4 | 35.4 |
| Depth | 28.7 | 28.7 | 28.7 | 28.7 | 28.7 | 28.7 | 28.7 | 28.7 | 28.7 |
| Weight | 2310 | 1800 | 1800 | 2310 | 1800 | 1800 | 2310 | 1800 | 1800 |

One Line Diagram

50 kVA & 80 kVA



Note: * For 208V input only.
Single input only with 208V input.

Battery Data

| | 50 - 30 kVA | 50 - 40 kVA | 50 - 50 kVA | 80 - 50 kVA | 80 - 65 kVA | 80 - 80 kVA | Cabinets |
|----------|-------------|-------------|-------------|-------------|-------------|-------------|----------|
| Pack 401 | 22 | 16 | 10 | 10 | 7 | N/A | 1 x E |
| Pack 402 | 35 | 28 | 18 | 18 | 12 | 7 | 1 x F |
| Pack 403 | 56 | 39 | 27 | 27 | 19 | 13 | 1E & 1F |
| Pack 404 | 56 | 39 | 27 | 27 | 19 | 13 | 1 x C |
| Pack 405 | 66 | 47 | 35 | 35 | 25 | 16 | 1E & 1F |
| Pack 406 | 82 | 55 | 42 | 42 | 30 | 23 | 1 x D |
| Pack 407 | 126 | 102 | 77 | 77 | 51 | 38 | 2 x C |
| Pack 408 | 136 | 116 | 92 | 92 | 60 | 47 | 2 x C |

Cabinet type C dimensions: 33.0" W x 33.0" D x 70.0" H
 Cabinet type D dimensions: 40.0" W x 33.0" D x 70.0" H
 Cabinet type E dimensions: 17.8" W x 28.7" D x 63.0" H
 Cabinet type F dimensions: 33.6" W x 28.7" D x 63.0" H