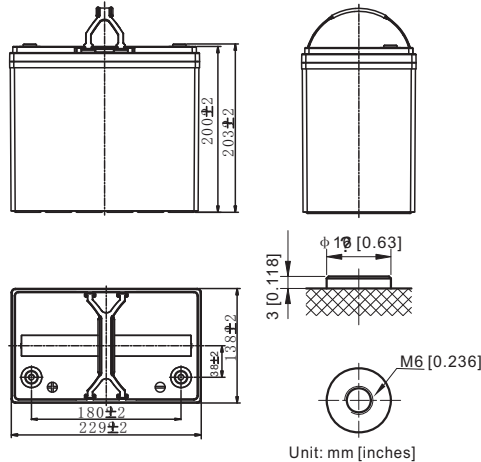


UPS ULTRA HIGH RATE

58EGPS-12-55-I(T6)(12V55AH)



Application

- ◆ UPS (High rate)
- ◆ High power backup supply
- ◆ Emergency power supply
- ◆ Emergency lighting
- ◆ Electric starting

Specification

Battery Type	Valve-Regulated, Absorbed Glass Mat (AGM) Technology	Self Discharge	≤ 3% of capacity declined per month at 25°C
Capacity	225.1 Watts/cell 15min rate (1.67V/cell) 55AH 20HR (1.80V/cell)	Current	Max. Discharge Current (5s) 825A Initial Charging Current Less than 16.5A
Dimensions	Length 229mm (9.02 inches) Width 138mm (5.43 inches) Height 200mm (7.87 inches) Total height 203mm (7.99 inches)	Operating Temp. Range	Discharge -15~50 °C (5~122 °F) Charging 0~40 °C (32~104 °F) Storage -15~40 °C (5~104 °F)
Approx Weight	Approx 17.3 kg (38.1 lbs)	Internal Resistance	Approx 5mΩ (25°C)
		Container Material	ABS
		Terminal	T6

Constant Power Discharge (Watts/Cell) at 25°C (77°C)

F.V/Time	5min	10min	15min	20min	30min	45min	1h	2h	3h	4h	5h	6h	8h	10h	20h
1.85V/cell	262.3	196.5	166.3	143.9	110.9	81.1	65.0	38.5	27.7	21.9	18.3	15.8	12.6	10.5	5.46
1.80V/cell	308.7	221.1	186.4	157.0	118.1	85.3	68.0	39.9	28.6	22.5	18.8	16.2	12.9	10.8	5.65
1.75V/cell	353.2	242.4	199.6	166.5	122.7	88.3	70.0	41.0	29.2	22.9	19.0	16.4	13.1	10.9	5.75
1.70V/cell	378.4	261.2	211.5	175.2	127.6	90.6	71.8	41.4	29.7	23.3	19.3	16.7	13.3	11.0	5.81
1.67V/cell	406.6	274.0	225.1	183.2	131.4	93.3	73.7	42.3	30.0	23.6	19.6	16.9	13.4	11.2	5.89
1.60V/cell	432.7	289.8	232.3	189.0	134.8	95.6	75.2	42.7	30.4	24.0	20.0	17.2	13.6	11.3	5.98

Constant Current Discharge (Amperes) at 25°C (77°C)

F.V/Time	5min	10min	15min	20min	30min	45min	1h	2h	3h	4h	5h	6h	8h	10h	20h
1.85V/cell	134.8	100.4	84.5	72.8	55.8	40.6	32.5	19.2	13.7	10.8	8.99	7.75	6.16	5.13	2.64
1.80V/cell	160.4	114.2	95.7	80.2	60.0	43.0	34.2	20.0	14.2	11.2	9.28	7.97	6.33	5.26	2.75
1.75V/cell	185.3	126.4	103.4	85.8	62.8	45.0	35.4	20.6	14.6	11.4	9.47	8.13	6.45	5.36	2.81
1.70V/cell	200.9	137.7	110.9	91.2	66.0	46.6	36.6	21.0	15.0	11.7	9.69	8.32	6.59	5.45	2.86
1.67V/cell	217.6	145.5	118.7	96.0	68.3	48.2	37.8	21.6	15.2	11.9	9.88	8.49	6.71	5.56	2.91
1.60V/cell	234.2	155.6	123.8	100.0	70.8	49.9	38.9	22.0	15.5	12.2	10.1	8.73	6.88	5.68	2.99