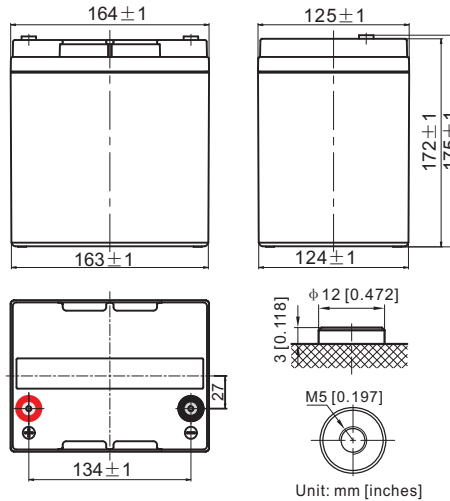


UPS ULTRA HIGH RATE

58EGPS-12-26-I(T12)(12V27AH)



Application

- ◆ UPS (High rate)
- ◆ High power backup supply
- ◆ Emergency power supply
- ◆ Emergency lighting
- ◆ Electric starting

Specification

Battery Type	Valve-Regulated, Absorbed Glass Mat (AGM) Technology		Self Discharge	≤3% of capacity declined per month at 25°C
Capacity	92.8Watts/cell	15min rate (1.67V/cell)	Current	Max. Discharge Current (5s) 540A
	27AH	20HR (1.80V/cell)		Initial Charging Current Less than 8.1A
Dimensions	Length	164mm (6.46inches)	Operating Temp. Range	Discharge -15~50 °C (5~122 °F)
	Width	125mm (4.92inches)		Charging 0~40 °C (32~104 °F)
	Height	172mm (6.77inches)	Internal Resistance	Storage -15~40 °C (5~104 °F)
	Total height	175mm (6.89inches)	Container Material	Approx 12mΩ (25 °C)
Approx Weight	Approx 7.9 kg (17.4lbs)		Terminal	T12

Constant Power Discharge (Watts/Cell) at 25 °C (77°F)

F.V/Time	5min	10min	15min	20min	30min	45min	1h	2h	3h	4h	5h	6h	8h	10h	20h
1.85V/cell	121.5	93.3	76.8	65.3	51.0	38.9	31.7	18.9	13.9	11.0	9.18	7.91	6.26	5.22	2.74
1.80V/cell	137.1	102.2	82.2	68.4	53.6	40.8	33.4	19.8	14.3	11.3	9.45	8.13	6.42	5.33	2.77
1.75V/cell	154.5	108.1	86.6	72.3	55.3	41.7	34.1	20.2	14.6	11.5	9.55	8.23	6.52	5.42	2.82
1.70V/cell	167.8	114.3	89.2	74.2	56.6	42.6	34.8	20.5	14.8	11.7	9.72	8.39	6.61	5.47	2.85
1.67V/cell	177.1	118.7	92.8	76.3	57.9	43.4	35.5	20.8	15.0	11.8	9.89	8.53	6.70	5.54	2.89
1.60V/cell	181.9	121.3	94.8	78.2	59.3	44.0	35.9	21.0	15.2	12.0	10.0	8.62	6.77	5.61	2.94

Constant Current Discharge (Amperes) at 25 °C (77°F)

F.V/Time	5min	10min	15min	20min	30min	45min	1h	2h	3h	4h	5h	6h	8h	10h	20h
1.85V/cell	62.5	47.7	39.0	33.0	25.7	19.5	15.8	9.40	6.86	5.44	4.51	3.88	3.05	2.54	1.32
1.80V/cell	71.2	52.8	42.2	34.9	27.2	20.6	16.8	9.88	7.12	5.61	4.67	4.01	3.15	2.61	1.35
1.75V/cell	81.1	56.4	44.8	37.3	28.3	21.3	17.3	10.2	7.32	5.74	4.75	4.08	3.22	2.66	1.38
1.70V/cell	89.1	60.3	46.8	38.6	29.2	21.9	17.7	10.4	7.47	5.88	4.87	4.19	3.29	2.71	1.40
1.67V/cell	94.8	63.0	48.9	40.1	30.1	22.5	18.2	10.6	7.62	5.98	4.98	4.28	3.34	2.75	1.43
1.60V/cell	98.5	65.1	50.5	41.5	31.1	23.0	18.6	10.8	7.76	6.12	5.10	4.37	3.41	2.81	1.47