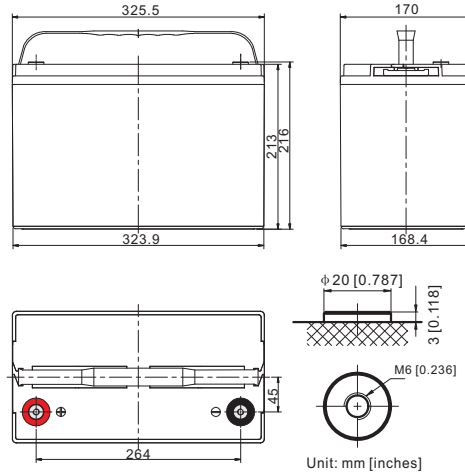


UPS ULTRA HIGH RATE

58EGPS-12-103-I(T8)(12V100AH)



Application

- ◆ UPS (High rate)
- ◆ High power backup supply
- ◆ Emergency power supply
- ◆ Emergency lighting
- ◆ Electric starting

Specification

Battery Type	Valve-Regulated, Absorbed Glass Mat (AGM) Technology		Self Discharge	3% of capacity declined per month at 20°C	
Capacity	405.7Watts/cell	15min rate(1.67V/cell)	Current	Max. Discharge Current(5s)	1650A
	100AH	20HR(1.80V/cell)	Initial Charging Current	Less than 30A	
Dimensions	Length	325.5mm(12.81inches)	Operating Temp. Range	Discharge	-15~50 °C(5~122 °F)
	Width	170mm(6.69inches)	Charging	0~40 °C(32~104 °F)	
	Height	213mm(8.39inches)	Storage	-15~40 °C(5~104 °F)	
	Total height	216mm(8.50inches)	Internal Resistance	Approx 3.6mΩ (25°C)	
Approx Weight	Approx 31.4kg (69.2lbs)		Container Material	ABS	
			Terminal	T8	

Constant Current Discharge (Amperes) at 25 °C (77°F)

F.V/Time	5min	10min	15min	20min	30min	45min	1h	2h	3h	4h	5h	6h	8h	10h	20h
1.85V/cell	222.1	179.5	161.7	139.3	104.9	76.1	59.9	33.8	25.0	20.0	16.8	14.6	11.4	9.37	4.94
1.80V/cell	264.0	204.6	179.2	152.0	112.4	80.3	62.5	35.2	26.0	20.8	17.5	15.0	11.7	9.60	5.00
1.75V/cell	297.0	225.1	193.1	161.7	119.2	84.0	65.5	36.5	26.8	21.4	17.9	15.4	12.0	9.81	5.20
1.70V/cell	324.7	239.6	203.6	169.6	124.0	87.6	68.2	37.9	27.6	21.9	18.2	15.7	12.2	10.0	5.26
1.67V/cell	355.1	254.1	214.0	177.2	128.3	90.3	70.3	39.0	28.4	22.5	18.7	16.1	12.5	10.1	5.30
1.60V/cell	372.2	264.8	220.6	181.8	131.0	91.8	71.2	39.7	28.9	22.8	18.9	16.3	12.6	10.3	5.33

Constant Power Discharge (Watts/Cell) at 25 °C (77°F)

F.V/Time	5min	10min	15min	20min	30min	45min	1h	2h	3h	4h	5h	6h	8h	10h	20h
1.85V/cell	432.2	351.1	318.1	275.3	208.6	152.0	120.0	68.1	50.4	40.6	34.2	29.7	23.4	19.3	10.2
1.80V/cell	508.2	396.2	349.0	297.7	221.4	159.0	124.3	70.4	52.2	41.9	35.3	30.5	23.9	19.7	10.4
1.75V/cell	565.9	431.7	372.8	313.9	232.8	165.1	129.4	72.5	53.4	42.9	35.9	31.1	24.4	20.0	10.6
1.70V/cell	611.7	454.5	388.4	325.8	239.7	170.6	133.7	74.7	54.8	43.6	36.4	31.4	24.6	20.2	10.7
1.67V/cell	663.5	478.4	405.7	338.2	246.7	174.7	137.0	76.5	55.9	44.5	37.2	32.0	25.0	20.4	10.7
1.60V/cell	687.7	493.2	413.8	343.7	249.4	176.0	137.5	77.1	56.5	44.8	37.3	32.2	25.0	20.4	10.7