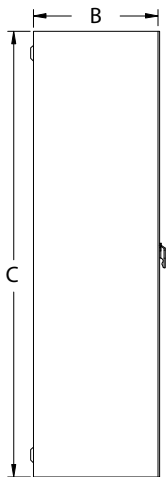


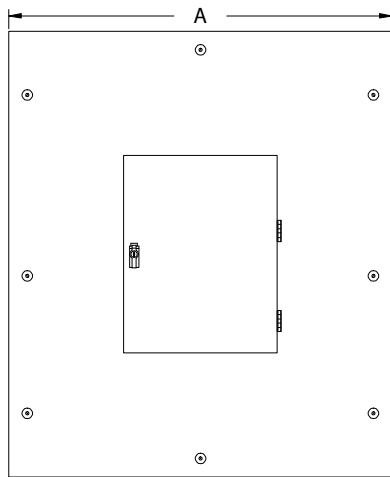
# Tripp Lite 3-Breaker Parallel Tie Cabinets

Model	Compatible UPS Systems	Input Circuit Breakers	Output Circuit Breaker	Copper Bus	KAIC Rating	Voltage Rating	Unit Dimensions (in)					Unit Weight	Shipping Dimensions** (in)	Shipping Weight**
							A	B	C	D	E			
SUPT40K	SU40K	2 x 150A	300A	400A	65	208V	36.1	11.8	42.0	32.0	37.9	265 lb	36.85 x 12.55 x 42.75	270 lb
SUPT60K	SU60K	2 x 225A	500A	600A	65	208V	38.1	11.8	44.8	34.0	40.6	300 lb	38.85 x 12.55 x 45.55	305 lb
SUPT80K	SU80K	2 x 300A	600A	600A	65	208V	38.1	11.8	46.1	34.0	42.0	315 lb	38.85 x 12.55 x 46.85	320 lb
SUPT20KX	SU20KX	2 x 50A	100A	225A	10/14*	380/400/415V	24.1	9.0	24.6	20.1	20.6	90 lb	24.87 x 9.75 x 25.35	95 lb
SUPT40KX	SU40KX	2 x 75A	150A	225A	35	380/400/415V	30.1	11.8	28.6	26.0	24.5	160 lb	30.85 x 12.5 x 29.35	165 lb
SUPT60KX	SU60KX, SU60KTV	2 x 125A	250A	600A	40	380/400/415/480V	36.1	11.8	42.0	32.0	37.9	265 lb	36.85 x 12.55 x 42.75	270 lb
SUPT80KX	SU80KX, SU80KTV	2 x 150A	300A	600A	40	380/400/415/480V	36.1	11.8	42.0	32.0	37.9	265 lb	36.85 x 12.55 x 42.75	270 lb

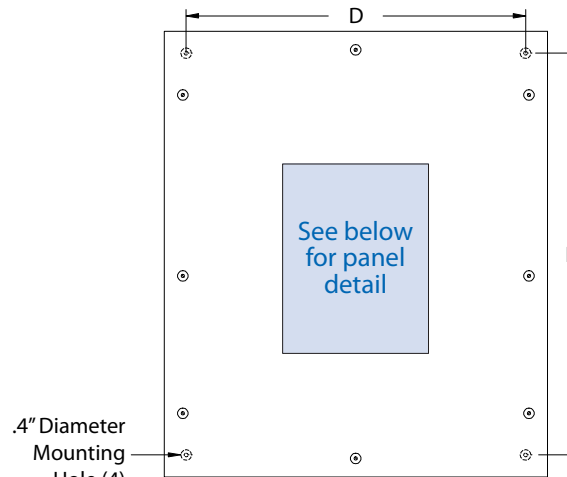
\* Panel rating is 10; breaker rating is 14. \*\* Shipping weight and dimensions do not include shipping pallet, which varies depending on quantity ordered.



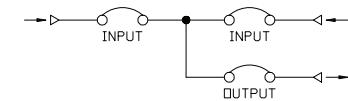
Left Side View



Front View

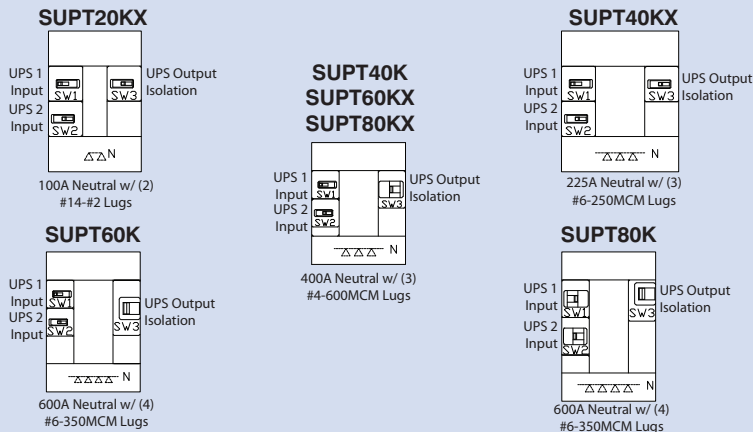


Front View  
Door Removed



One Line Diagram

## Panel Detail



**PANEL TYPE:** CDP (UL 67 Listed Interior)

**SERVICE:** See Table Above

**ENCLOSURE TYPE:** NEMA 1 (UL 50 Listed Enclosure)

**BOX:** 12 Gauge Painted Steel; No Knockouts

**TRIM:** 12 Gauge Painted Steel; Held To Box With Adjustable Trim Clamps – Surface Mounting

**DOOR:** Equipped With Corbin 15767 Snap-Lock

**FINISH:** Polyester Powder Coat Applied To Surfaces; Treated With Sealer (Iron Phosphate And Chrome Free)

**BUS:** Electrolytic Copper Of 98% Conductivity, Based On 1000 Amps Per Square Inch Density

**WIRE-BENDING GUTTER:** Meets Or Exceeds NEC Tables 312-6(a), 312-6(b)

**BREAKERS:** Cutler-Hammer Thermal-Magnetic, 3-Pole, Trip As Indicated; See Table For Ratings

**BREAKER TERMINAL LUG:** Varies – See Diagrams



For more information call  
Tripp Lite Customer Service at  
**(773) 869-1234.**

Tripp Lite has a policy of continuous improvement. Specifications are subject to change without notice. Photos and diagrams may differ slightly from product.