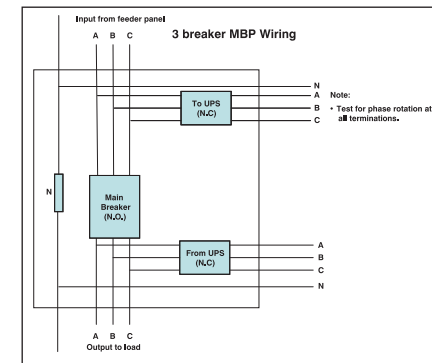
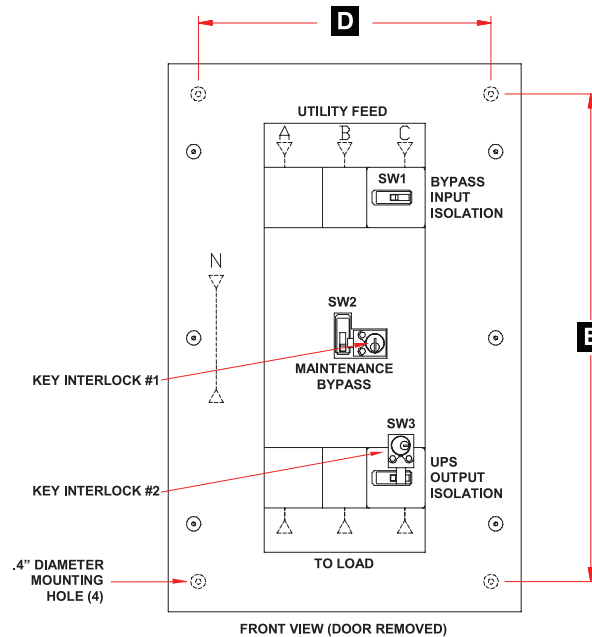
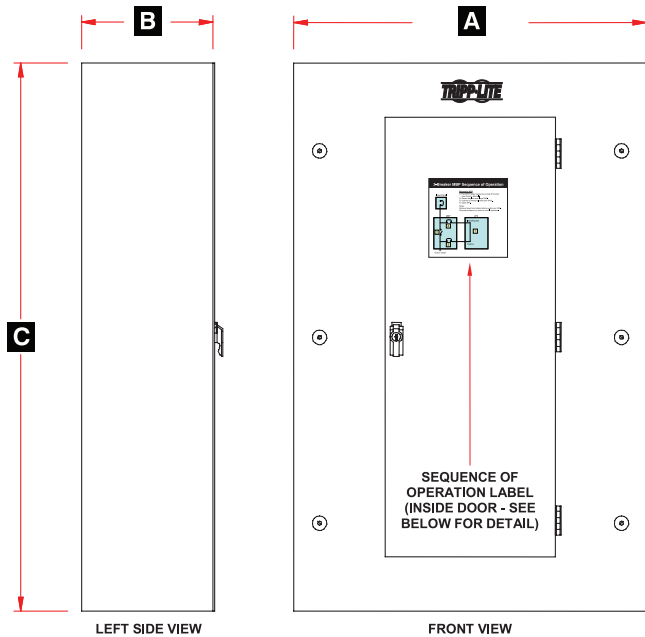
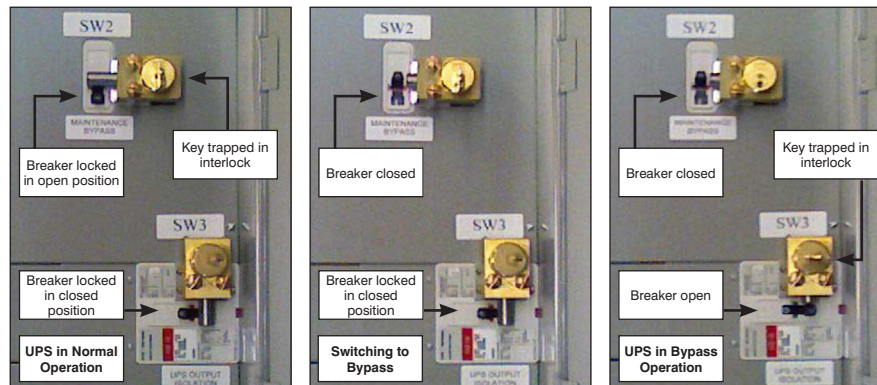
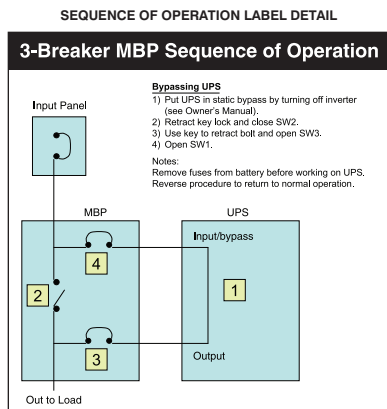


# Tripp Lite 3-Breaker Maintenance Bypass Panel with Kirk Key Interlock

Bypass Panel Model #	Compatible UPS Systems	Shipping Dimensions (in)	Shipping Weight (lb)	Unit Dimensions (in)					Unit Weight (lb)	Voltage	Breaker (Amps)	Breaker KAIC Rating	Kirk Key
				A	B	C	D	E					
SU20KMBPK	SU20K3/3, SU20K3/3XR5, SU20K3/3X, SU20KX	24.87 x 9.75 x 38.2	130	24.12	9.00	37.36	20.00	33.25	125	240/415	70	14/18	yes
SU30KMBPK	SU30K3/3, SU30K3/3XR5, SU30K3/3X	24.87 x 9.75 x 38.2	130	24.12	9.00	37.36	20.00	33.25	125	240/415	100	14/18	yes
SU40KMBPK	SU40K	30.87 x 12.5 x 43.2	225	30.12	11.75	42.36	26.00	38.25	220	up to 240	150	65	yes
SU60KMBPK	SU60K	30.87 x 12.5 x 43.2	225	30.12	11.75	42.36	26.00	38.25	220	up to 240	225	65	yes
SU80KMBPK	SU80K	36.87 x 12.5 x 62.0	375	36.10	11.75	61.25	32.00	57.12	370	up to 240	300	65	yes
SU40KMBPKX	SU40KX	24.87 x 9.75 x 38.2	130	24.12	9.00	37.36	20.00	33.25	125	up to 480	80	14	yes
SU60KMBPKX	SU60KX, SU60KTV	30.87 x 12.5 x 43.2	225	30.12	11.75	42.36	26.00	38.25	220	up to 480	125	35	yes
SU80KMBPKX	SU80KX, SU80KTV	30.87 x 12.5 x 43.2	225	30.12	11.75	42.36	26.00	38.25	220	up to 480	150	35	yes



**PANEL TYPE:** NDP (UL 67 LISTED INTERIOR)  
**SERVICE:** SEE TABLE ABOVE  
**ENCLOSURE TYPE:** NEMA 1 (UL 50 LISTED ENCLOSURE)  
**BOX:** 12 GAUGE PAINTED STEEL; NO KNOCKOUTS  
**TRIM:** 12 GAUGE PAINTED STEEL; HELD TO BOX WITH ADJUSTABLE TRIM CLAMPS - SURFACE MOUNTING  
**DOOR:** EQUIPPED WITH CORBIN 15767 SNAP-LOCK  
**FINISH:** ANSI 61 GRAY POLYESTER POWDER COAT APPLIED TO SURFACES; TREATED WITH SEALER (IRON PHOSPHATE AND CHROME FREE)  
**BUS:** ELECTROLYTIC COPPER OF 98% CONDUCTIVITY, BASED ON 1000 AMPS PER SQUARE INCH DENSITY  
**WIRE-BENDING GUTTER:** MEETS OR EXCEEDS NEC TABLES 312-6(a), 312-6(b)  
**BREAKERS:** CUTLER-HAMMER THERMAL-MAGNETIC, 3-POLE, TRIP AS INDICATED; SEE TABLE ABOVE FOR AMPS AND KAIC RATING  
**BREAKER TERMINAL LUG:** (1) #14-1/0 PER PHASE  
**KEY INTERLOCK:** KIRK TYPE F; BREAKERS ARE INTERLOCKED SO AT LEAST ONE BREAKER IS ON AT ANY GIVEN TIME  
**DO NOT MISPLACE KEY - CHARGES WILL APPLY**



**For more information call  
 Tripp Lite Customer Service at  
 (773) 869-1234.**

Tripp Lite has a policy of continuous improvement. Specifications are subject to change without notice. Photos may differ slightly from actual product.