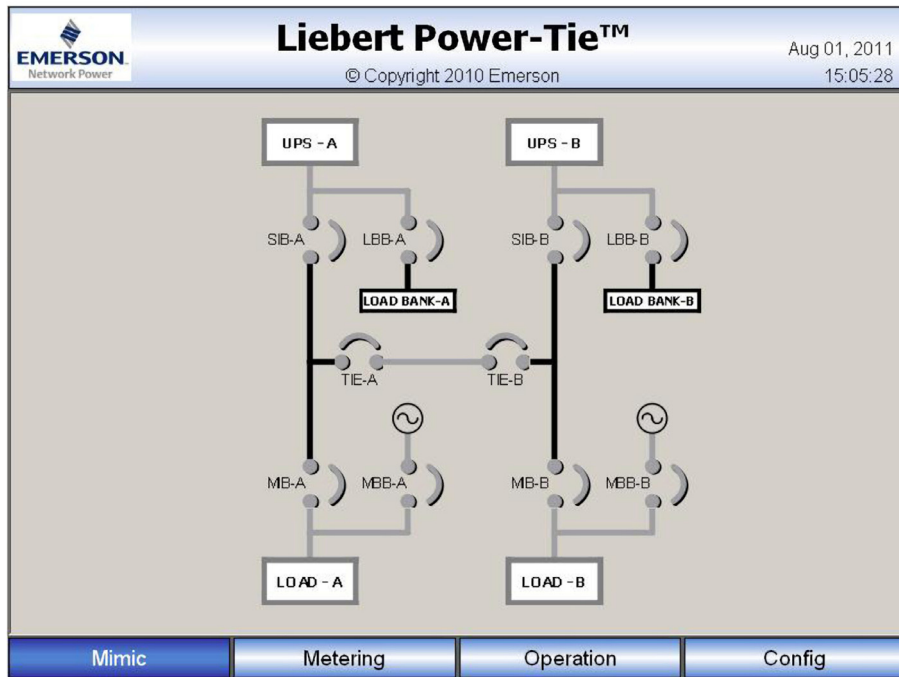


Liebert® NXL™ Power-Tie Controls

Installation Manual



CONTACTING EMERSON NETWORK POWER FOR SUPPORT

Contact Emerson Network Power Liebert Services for information or repair service in the United States at 1-800-LIEBERT (1-800-543-2378).

For repair or maintenance service outside the 48 contiguous United States, contact Liebert Services, if available in your area. For areas not covered by Liebert Services, the authorized distributor is responsible for providing qualified, factory-authorized service.

Have the following information available before calling Liebert Services:

Part Numbers: _____

Serial Numbers: _____

kVA Rating: _____

Date Purchased: _____

Date Installed: _____

Location: _____

Input Voltage/Frequency: _____

Output Voltage/Frequency: _____

Battery Reserve Time: _____

Product Warranty Registration

To register for warranty protection, visit the **Service and Support** section of our Web site at:

www.liebert.com

Click on **Product Registration** and fill out the form.

TABLE OF CONTENTS

IMPORTANT SAFETY INSTRUCTIONS	1
1.0 MECHANICAL INSTALLATION	2
1.1 Introduction	2
1.2 Preliminary Checks	2
2.0 CONTROL CONNECTIONS AND COMMUNICATION	3
2.1 Control Cable and Communication	3
2.2 Inter-Module Control wiring	5
3.0 INSTALLATION DRAWINGS	9
4.0 SPECIFICATIONS	13

FIGURES

Figure 1 External Interface Board connections layout	3
Figure 2 Breaker Interface Board	3
Figure 3 Voltage and Current Sensing Terminal	4
Figure 4 Control wiring layout for Liebert NXL Power-Tie	9
Figure 5 Liebert NXL Power-Tie System #1 layout	10
Figure 6 Liebert NXL Power-Tie System #2 or #3 layout	11
Figure 7 Liebert NXL Power-Tie control wiring for single system	12

TABLES

Table 1 Cable group #22A - from SIB breaker interface board (BIB) to SIB breaker	5
Table 2 Cable group #22B - from SIB breaker interface board (BIB) to breaker motor operator (optional)	5
Table 3 Cable group #23A - from tie breaker interface board (BIB) to tie breaker	5
Table 4 Cable group #23B - from tie breaker interface board (BIB) to breaker motor operator (optional)	5
Table 5 Cable group #24A - from MBB breaker interface board (BIB) to MBB breaker	5
Table 6 Cable group #24B - from MBB breaker interface board (BIB) to breaker motor operator (optional)	6
Table 7 Cable group #25A - from MIB breaker interface board (BIB) to MIB breaker	6
Table 8 Cable group #25B - from MIB breaker interface board (BIB) to breaker motor operator (optional)	6
Table 9 Cable group #26A - from LBB breaker interface board (BIB) to LBB breaker	6
Table 10 Cable group #27A - parallel from SCC/UPS inter-module communication board to Liebert NXL Power-Tie inter-module communication board	6
Table 11 Cable group #27B - redundant parallel from SCC/UPS inter-module communication board to Liebert NXL Power-Tie inter-module communication board	7
Table 12 Cable group #28A - parallel from Liebert NXL Power-Tie inter-module communication board to next Liebert NXL Power-Tie inter-module communication board	7
Table 13 Cable group #28B - redundant parallel Liebert NXL Power-Tie inter-module communication board to next Liebert NXL Power-Tie inter-module communication board	7
Table 14 Cable group #29A - from MBB breaker interface board to SKRU interface	7
Table 15 Cable group #29B - from MBB breaker interface board to SKRU interface	7
Table 16 Cable group #32 - from Liebert NXL Power-Tie control terminal block to voltage and current sense points	8
Table 17 Liebert NXL Power-Tie Control specifications	13

IMPORTANT SAFETY INSTRUCTIONS

SAVE THESE INSTRUCTIONS

This manual contains important instructions that should be followed during installation of your Liebert NXL™ Power-Tie Controls. Read this manual thoroughly, paying special attention to the sections that apply to your installation, before working with the unit. **Retain this manual for use by installing personnel.**



WARNING

Risk of electrical shock. Can cause personal injury or death.

Only properly trained and qualified personnel wearing appropriate safety headgear, gloves, shoes and glasses should be involved in installing the modules or preparing the modules for installation. When performing maintenance with any part of the equipment under power, service personnel and test equipment should be standing on rubber mats.

In case of fire involving electrical equipment, use only carbon dioxide fire extinguishers or those approved for use in fighting electrical fires.

Extreme caution is required when performing installation and maintenance.

Special safety precautions are required for procedures involving handling, installation and maintenance of the UPS system. Observe all safety precautions in this manual before handling or installing the module. Observe all precautions in the Operation and Maintenance Manual before as well as during performance of all maintenance procedures.



WARNING

Risk of electrical shock and fire. Can cause equipment damage, personal injury or death.

Under typical operation and with all doors closed, only normal safety precautions are necessary. The area around the system should be kept free of puddles of water, excess moisture and debris.

Only test equipment designed for troubleshooting should be used. This is particularly true for oscilloscopes. Always check with an AC voltmeter to ensure safety before making contact or using tools. Even when the power is turned Off, dangerously high potential electric charges may exist at the capacitor banks.

All wiring must be installed by a properly trained and qualified electrician. All power and control wiring must comply with all applicable national, state and local codes.

One person should never work alone, even if all power is disconnected from the equipment. A second person should be standing by to assist and to summon help in case of an accident.



NOTE

Materials sold hereunder cannot be used in the patient vicinity (e.g., use where UL, cUL or IEC 60601-1 is required). Medical applications, such as invasive procedures and electrical life-support equipment, are subject to additional terms and conditions.

NOTICE

This unit complies with the limits for a Class A digital device, pursuant to Part 15 Subpart J of the FCC rules. These limits provide reasonable protection against harmful interference in a commercial environment. This unit generates, uses and radiates radio frequency energy and, if not installed and used in accordance with this instruction manual, may cause harmful interference to radio communications. Operation of this unit in a residential area may cause harmful interference that the user must correct at his own expense.

1.0 MECHANICAL INSTALLATION

1.1 Introduction

The Liebert NXL Switchgear provides continuous, high-quality AC power to your business-critical equipment, such as telecommunication and data processing equipment. Liebert NXL UPSs will supply power that is free of the disturbances and variations in voltage and frequency common to utility power, which is subject to brownouts, blackouts, surges and sags.

The Liebert NXL Power-Tie system provides manually initiated, uninterrupted transfers of a critical load bus between the two UPS systems.

This topology permits one UPS and its associated distribution system to be shut down for maintenance while the load continues to be supplied by another UPS, without the necessity of transferring the load to bypass during shutdown or restart of the UPS being maintained.

1.2 Preliminary Checks

This chapter is a guide to general procedures and practices that should be observed by the installing personnel. The particular conditions of each site will determine the applicability of such procedures.

Before installing the Liebert NXL Power-Tie, please carry out the following preliminary checks:

- Examine the Liebert NXL Power-Tie for transit damage, both internally and externally. Report any damage to the shipper immediately.
- Verify that the correct equipment is being installed. The Liebert NXL Power-Tie cabinet has an identification tag on the interior doors listing the type, size and main calibration parameters of the UPS.
- Verify that the UPS room satisfies the environmental conditions stipulated in the equipment specification, paying particular attention to the ambient temperature and air exchange system.

2.0 CONTROL CONNECTIONS AND COMMUNICATION

2.1 Control Cable and Communication

Figure 1 External Interface Board connections layout

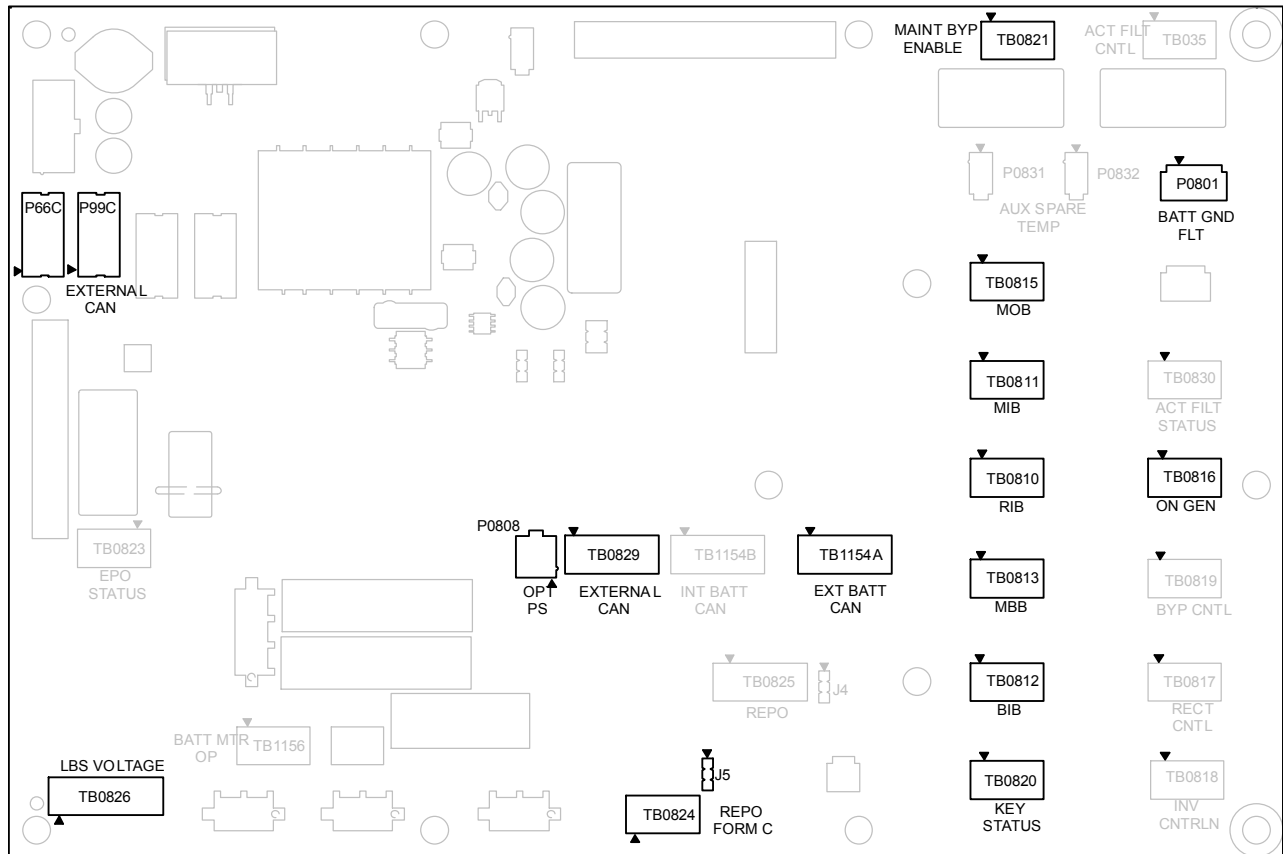


Figure 2 Breaker Interface Board

BREAKER INTERFACE BOARD

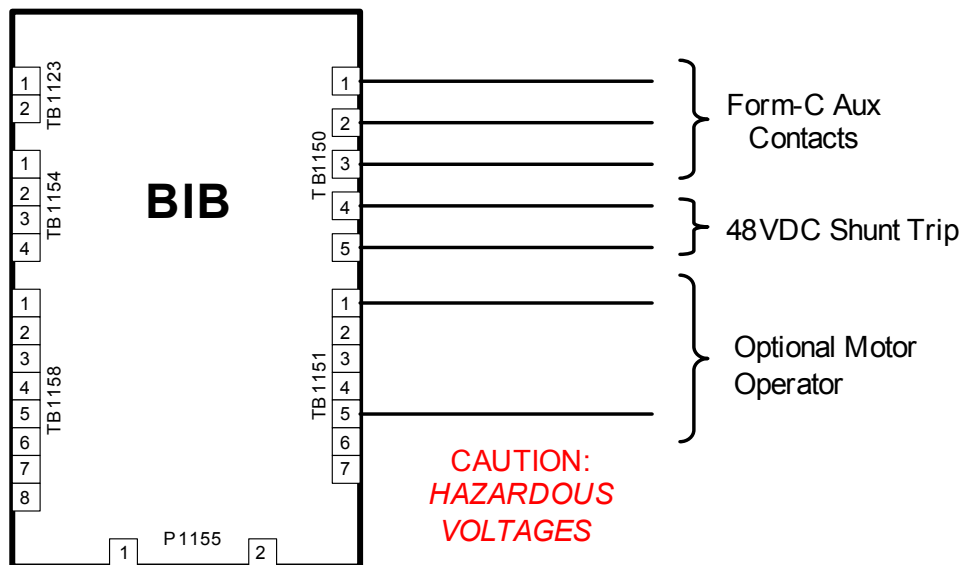
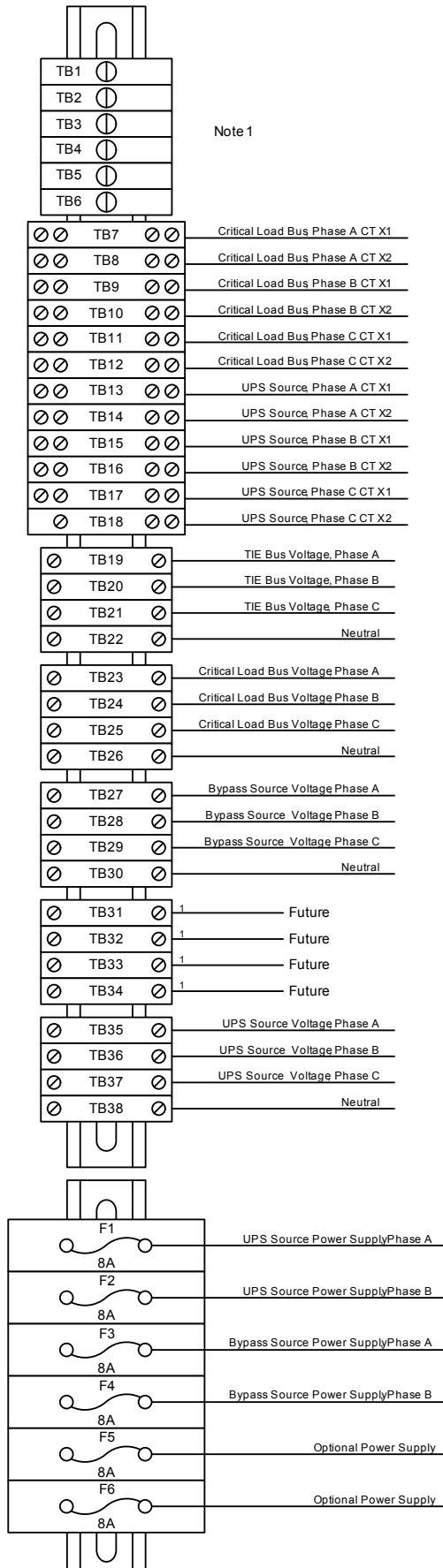


Figure 3 Voltage and Current Sensing Terminal



Note 1

TB#	SHORTS CT
TB1	LOAD I PHA
TB2	LOAD I PHB
TB3	LOAD I PHC
TB4	UPS I PHA
TB5	UPS I PHB
TB6	UPS I PHC

CAUTION:
TB19-TB38 and F1-F6 connected to
HAZARDOUS VOLTAGES

NOTES:

1. TB1-TB6 are shorting switches. During normal operation, these devices are open. When button is depressed and turned 90° (locked position) the associated CT is shorted. Reference Table "CT SHORTING TABLE" on this sheet.
2. TB19-TB38 are disconnect devices. During normal operation these devices are closed. All external wiring into TB 19-TB38 must be fused at the source.

2.2 Inter-Module Control wiring

Table 1 Cable group #22A - from SIB breaker interface board (BIB) to SIB breaker

Terminal Designation		Signal Name	Maximum Length
From	To		
TB1150-1	Remote Breaker Contacts	SIB AUX CONTACT COMMON	#14-22AWG 500FT (150m)
TB1150-2		SIB AUX CONTACT, CLOSED = CB IS OPEN	
TB1150-3		SIB AUX CONTACT, CLOSED = CB IS CLOSED	
TB1150-4		SIB 48VDC TRIP COIL (-)	
TB1150-5		SIB 48VDC TRIP COIL (+)	

Table 2 Cable group #22B - from SIB breaker interface board (BIB) to breaker motor operator (optional)

Terminal Designation		Signal Name	Maximum Length
From	To		
TB1151-1	Remote Breaker Motor Operator Contacts	AC LINE	#14-22AWG 500FT (150m)
TB1151-5		MOTOR OPERATOR CLOSE	

Table 3 Cable group #23A - from tie breaker interface board (BIB) to tie breaker

Terminal Designation		Signal Name	Maximum Length
From	To		
TB1150-1	Remote Breaker Contacts	TIE AUX CONTACT COMMON	#14-22AWG 500FT (150m)
TB1150-2		TIE AUX CONTACT, CLOSED = CB IS OPEN	
TB1150-3		TIE AUX CONTACT, CLOSED = CB IS CLOSED	
TB1150-4		TIE 48VDC TRIP COIL (-)	
TB1150-5		TIE 48VDC TRIP COIL (+)	

Table 4 Cable group #23B - from tie breaker interface board (BIB) to breaker motor operator (optional)

Terminal Designation		Signal Name	Maximum Length
From	To		
TB1151-1	Remote Breaker Motor Operator Contacts	AC LINE	#14-22AWG 500FT (150m)
TB1151-5		MOTOR OPERATOR CLOSE	

Table 5 Cable group #24A - from MBB breaker interface board (BIB) to MBB breaker

Terminal Designation		Signal Name	Maximum Length
From	To		
TB1150-1	Remote Breaker Contacts	MBB AUX CONTACT COMMON	#14-22AWG 500FT (150m)
TB1150-2		MBB AUX CONTACT, CLOSED = CB IS OPEN	
TB1150-3		MBB AUX CONTACT, CLOSED = CB IS CLOSED	
TB1150-4		MBB 48VDC TRIP COIL (-)	
TB1150-5		MBB 48VDC TRIP COIL (+)	

Table 6 Cable group #24B - from MBB breaker interface board (BIB) to breaker motor operator (optional)

Terminal Designation		Signal Name	Maximum Length
From	To		
TB1151-1	Remote Breaker Motor Operator Contacts	AC LINE	#14-22AWG 500FT (150m)
TB1151-5		MOTOR OPERATOR CLOSE	

Table 7 Cable group #25A - from MIB breaker interface board (BIB) to MIB breaker

Terminal Designation		Signal Name	Maximum Length
From	To		
TB1150-1	Remote Breaker Contacts	MIB AUX CONTACT COMMON	#14-22AWG 500FT (150m)
TB1150-2		MIB AUX CONTACT, CLOSED = CB IS OPEN	
TB1150-3		MIB AUX CONTACT, CLOSED = CB IS CLOSED	
TB1150-4		MIB 48VDC TRIP COIL (-)	
TB1150-5		MIB 48VDC TRIP COIL (+)	

Table 8 Cable group #25B - from MIB breaker interface board (BIB) to breaker motor operator (optional)

Terminal Designation		Signal Name	Maximum Length
From	To		
TB1151-1	Remote Breaker Motor Operator Contacts	AC LINE	#14-22AWG 500FT (150m)
TB1151-5		MOTOR OPERATOR CLOSE	

Table 9 Cable group #26A - from LBB breaker interface board (BIB) to LBB breaker

Terminal Designation		Signal Name	Maximum Length
From	To		
TB1150-1	Remote Breaker Contacts	LBB AUX CONTACT COMMON	#14-22AWG 500FT (150m)
TB1150-2		LBB AUX CONTACT, CLOSED = CB IS OPEN	
TB1150-3		LBB AUX CONTACT, CLOSED = CB IS CLOSED	

Table 10 Cable group #27A - parallel from SCC/UPS inter-module communication board to Liebert NXL Power-Tie inter-module communication board

Terminal Designation		Signal Name	Maximum Length
From	To		
P3101-3	P3101-3	SYSTEM CAN +24V	#18AWG 1000FT (300m)
P3101-4	P3101-4	SYSTEM CAN COMMON	
P3101-7	P3101-7	GROUND	
P3101-14	P3101-14	GROUND	
P3101-12	P3101-12	LBS SYNCH CAN +24V	
P3101-13	P3101-13	LBS SYNCH CAN COMMON	

Note: Must use Belden 8106 or (3) Belden 8102; outer shield drain wire must be connected to pins 7 and 14 at each connector.

Table 11 Cable group #27B - redundant parallel from SCC/UPS inter-module communication board to Liebert NXL Power-Tie inter-module communication board

Terminal Designation		Signal Name	Maximum Length
From	To		
P3103-3	P3103-3	REDUNDANT SYSTEM CAN +24V	#18AWG 1000FT (300m)
P3103-4	P3103-4	REDUNDANT SYSTEM CAN COMMON	
P3103-7	P3103-7	GROUND	
P3103-14	P3103-14	GROUND	
P3103-12	P3103-12	REDUNDANT LBS SYNCH CAN +24V	
P3103-13	P3103-13	REDUNDANT LBS SYNCH CAN COMMON	

Note: Must use Belden 8106 or (3) Belden 8102; outer shield drain wire must be connected to pins 7 and 14 at each connector.

Table 12 Cable group #28A - parallel from Liebert NXL Power-Tie inter-module communication board to next Liebert NXL Power-Tie inter-module communication board

Terminal Designation		Signal Name	Maximum Length
From	To		
P3101-1	P3101-1	SHARE CAN +24V	#18AWG 1000FT (300m)
P3101-2	P3101-2	SHARE CAN COMMON	
P3101-7	P3101-7	GROUND	
P3101-14	P3101-14	GROUND	
P3101-8	P3101-8	PWM SYNCH CAN +24V	
P3101-9	P3101-9	PWM SYNCH CAN COMMON	

Note: Must use Belden 8106 or (3) Belden 8102; outer shield drain wire must be connected to pins 7 and 14 at each connector.

Table 13 Cable group #28B - redundant parallel Liebert NXL Power-Tie inter-module communication board to next Liebert NXL Power-Tie inter-module communication board

Terminal Designation		Signal Name	Maximum Length
From	To		
P3103-3	P3103-3	SHARE CAN +24V	#18AWG 1000FT (300m)
P3103-4	P3103-4	SHARE CAN COMMON	
P3103-7	P3103-7	GROUND	
P3103-14	P3103-14	GROUND	
P3103-12	P3103-12	PWM SYNCH CAN +24V	
P3103-13	P3103-13	PWM SYNCH CAN COMMON	

Note: Must use Belden 8106 or (3) Belden 8102; outer shield drain wire must be connected to pins 7 and 14 at each connector.

Table 14 Cable group #29A - from MBB breaker interface board to SKRU interface

Terminal Designation		Signal Name	Maximum Length
From	To		
TB1158-6	SKRU CONTACTS	KEY STATUS SWITCH, CLOSED = KEY RELEASED	#14-22AWG 500FT (150m)
TB1158-4		KEY STATUS SWITCH, COMMON	
TB1158-5		KEY STATUS SWITCH, CLOSED = KEY CAPTIVE	

Table 15 Cable group #29B - from MBB breaker interface board to SKRU interface

Terminal Designation		Signal Name	Maximum Length
From	To		
TB1151-1	SKRU CONTACTS	CLOSED = ENABLE SKRU	#14-22AWG 164FT (50m)
TB1151-5		MAINTENANCE BYPASS CABINET, COMMON	

Table 16 Cable group #32 - from Liebert NXL Power-Tie control terminal block to voltage and current sense points

Terminal Designation		Signal Name	Maximum Length
From	To		
TB7	VOLTAGE & CURRENT SENSE POINTS	Critical Load Bus, Phase A CT X1	22-12AWG/ 500FT (150m)
TB8		Critical Load Bus, Phase A CT X2	
TB9		Critical Load Bus, Phase B CT X1	
TB10		Critical Load Bus, Phase B CT X2	
TB11		Critical Load Bus, Phase C CT X1	
TB12		Critical Load Bus, Phase C CT X2	
TB13		UPS SOURCE, Phase A CT X1	
TB14		UPS SOURCE, Phase A CT X2	
TB15		UPS SOURCE, Phase B CT X1	
TB16		UPS SOURCE, Phase B CT X2	
TB17		UPS SOURCE, Phase C CT X1	
TB18		UPS SOURCE, Phase C CT X2	
TB19		TIE BUS VOLTAGE, PHASE A	
TB20		TIE BUS VOLTAGE, PHASE B	
TB21		TIE BUS VOLTAGE, PHASE C	
TB22		NEUTRAL	
TB23		CRITICAL LOAD BUS VOLTAGE, PHASE A	
TB24		CRITICAL LOAD BUS VOLTAGE, PHASE B	
TB25		CRITICAL LOAD BUS VOLTAGE, PHASE C	
TB26		NEUTRAL	
TB27		BYPASS SOURCE VOLTAGE, PHASE A	
TB28		BYPASS SOURCE VOLTAGE, PHASE B	
TB29		BYPASS SOURCE VOLTAGE, PHASE C	
TB30		NEUTRAL	
TB31		FUTURE	
TB32		FUTURE	
TB33		FUTURE	
TB34		FUTURE	
TB35		UPS SOURCE VOLTAGE, PHASE A	
TB36		UPS SOURCE VOLTAGE, PHASE B	
TB37		UPS SOURCE VOLTAGE, PHASE C	
TB38		NEUTRAL	
F1		UPS Source Power Supply, Phase A	
F2		UPS Source Power Supply, Phase B	
F3		Bypass Source Power Supply, Phase A	
F4		Bypass Source Power Supply, Phase B	
F5	Optional Power Supply		
F6	Optional Power Supply		

3.0 INSTALLATION DRAWINGS

Figure 4 Control wiring layout for Liebert NXL Power-Tie

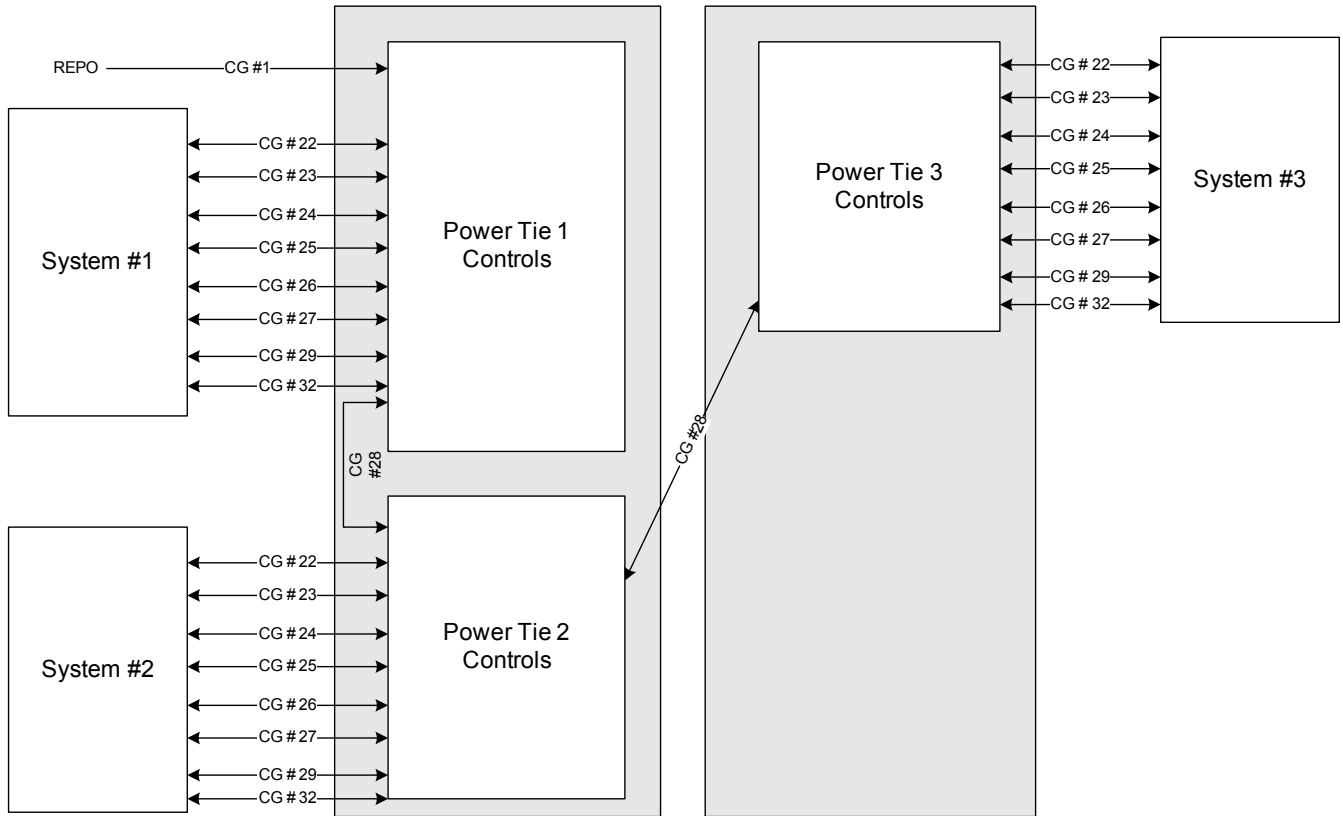
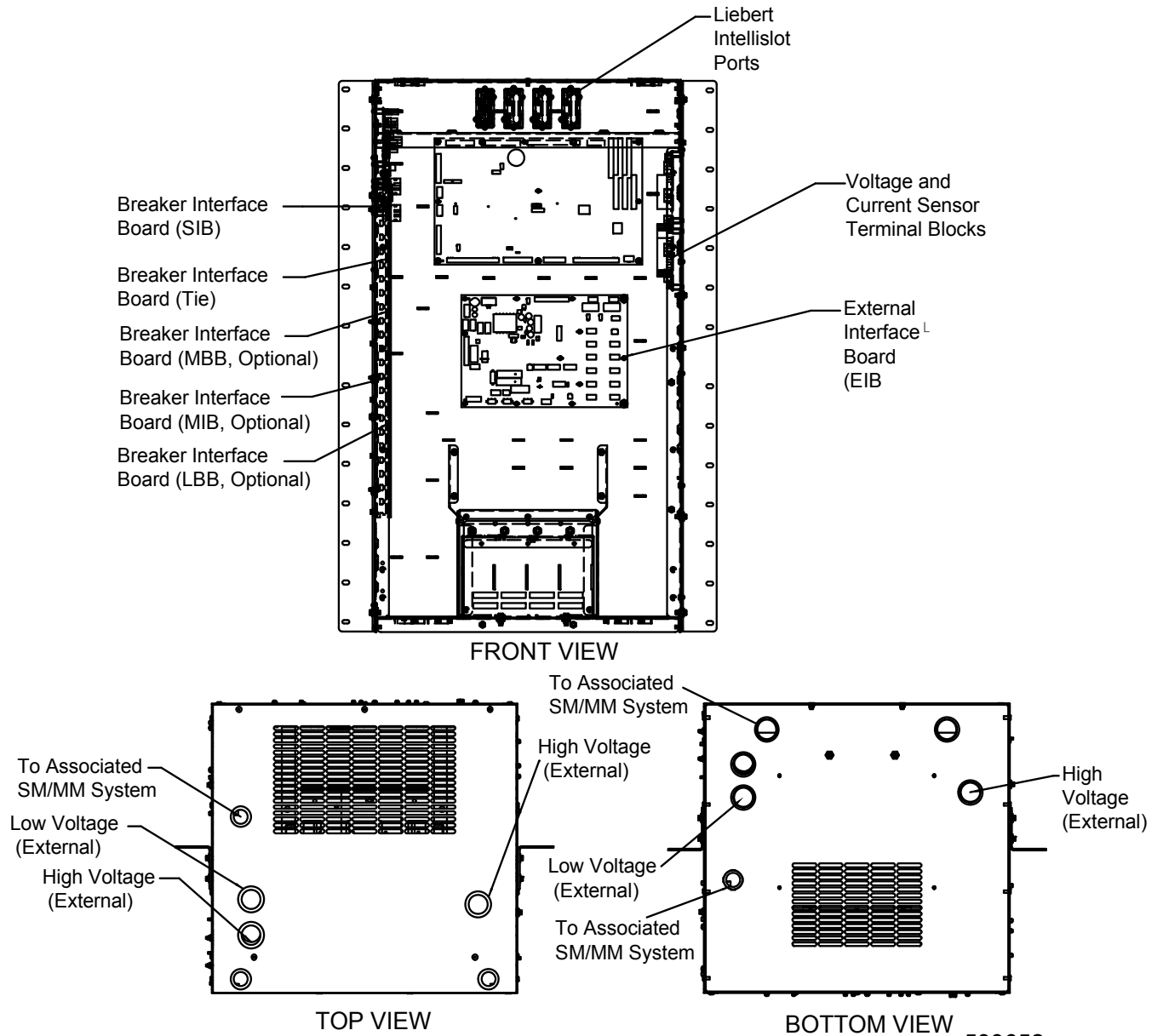


Figure 5 Liebert NXL Power-Tie System #1 layout



539652
Page 1, Rev. 3

Figure 6 Liebert NXL Power-Tie System #2 or #3 layout

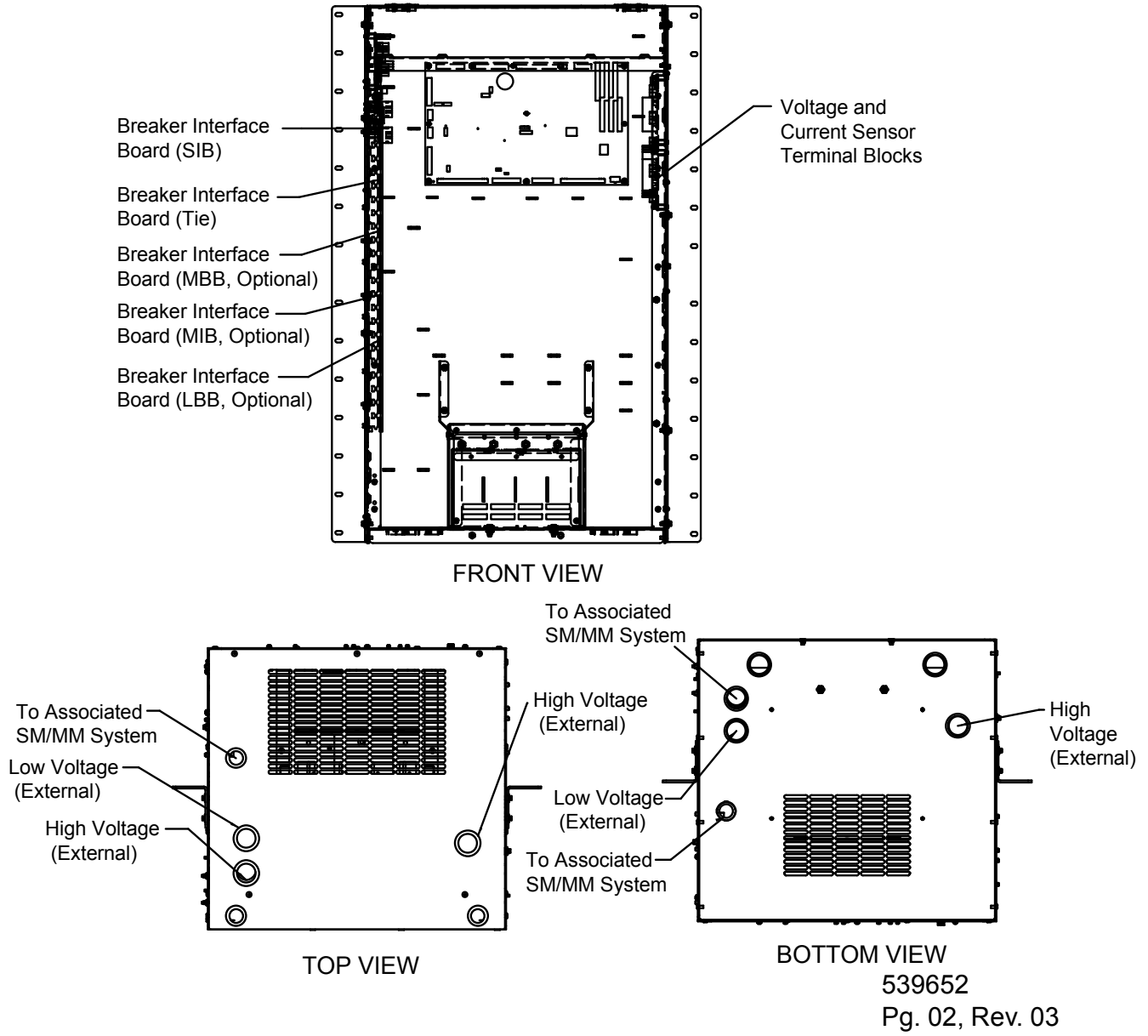
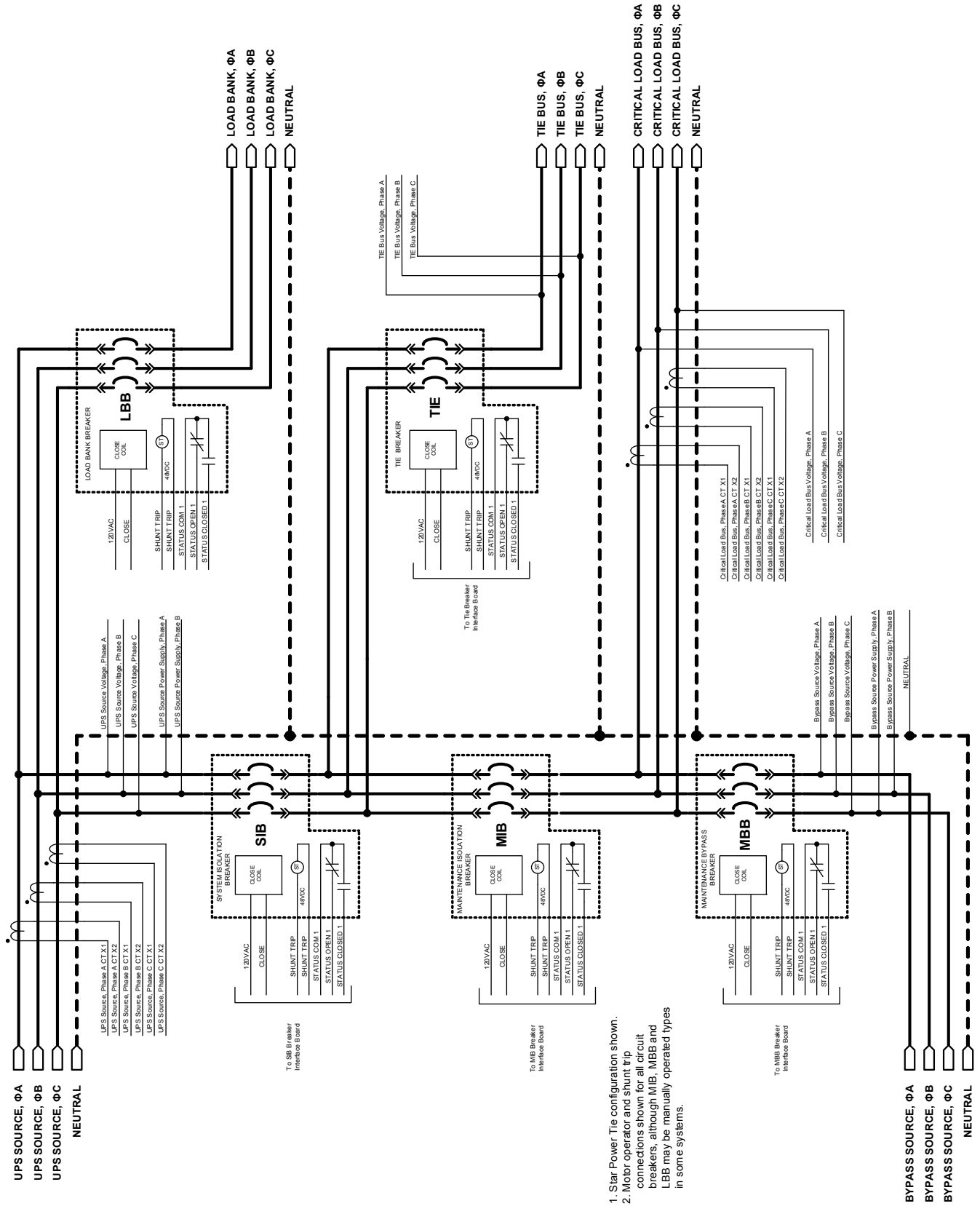


Figure 7 Liebert NXL Power-Tie control wiring for single system



1. Star Power Tie configuration shown.
2. Motor operator and shunt trip connections shown for all circuit breakers, although MIB, MBB and LBB may be manually operated types in some systems.

4.0 SPECIFICATIONS

Table 17 Liebert NXL Power-Tie Control specifications

Environmental Parameters	
Storage Temperature Range, °F (°C)	-13 to 158 (-25 to 70)
Operating Temperature Range, °F (°C)	32 to 104 (0 to 40) (UPS)
Relative Humidity	95% or less Non-Condensing (Operating and Non-Operating)
Maximum Altitude Above mean sea level, ft (m)	4920 (1500) (as per IEC 62040/3) - 1% Max kW derate / 328 rise between 4921-9842 (100m rise between 1500-3000m)

Ensuring The High Availability Of Mission-Critical Data And Applications.

Emerson Network Power, a business of Emerson (NYSE:EMR), is the global leader in enabling *Business-Critical Continuity™* from grid to chip for telecommunication networks, data centers, health care and industrial facilities. Emerson Network Power provides innovative solutions and expertise in areas including AC and DC power and precision cooling systems, embedded computing and power, integrated racks and enclosures, power switching and controls, infrastructure management, and connectivity. All solutions are supported globally by local Emerson Network Power service technicians. Liebert AC power, precision cooling and monitoring products and services from Emerson Network Power deliver Efficiency Without Compromise™ by helping customers optimize their data center infrastructure to reduce costs and deliver high availability.

While every precaution has been taken to ensure the accuracy and completeness of this literature, Liebert Corporation assumes no responsibility and disclaims all liability for damages resulting from use of this information or for any errors or omissions.

© 2010 Liebert Corporation

All rights reserved throughout the world. Specifications subject to change without notice.

® Liebert is a registered trademark of Liebert Corporation.

All names referred to are trademarks or registered trademarks of their respective owners.

SL-25520_REV2_01-12

Technical Support / Service

Web Site

www.liebert.com

Monitoring

liebert.monitoring@emerson.com

800-222-5877

Outside North America: +00800 1155 4499

Single-Phase UPS & Server Cabinets

liebert.upstech@emerson.com

800-222-5877

Outside North America: +00800 1155 4499

Three-Phase UPS & Power Systems

800-543-2378

Outside North America: 614-841-6598

Environmental Systems

800-543-2778

Outside the United States: 614-888-0246

Locations

United States

1050 Dearborn Drive

P.O. Box 29186

Columbus, OH 43229

Europe

Via Leonardo Da Vinci 8

Zona Industriale Tognana

35028 Piove Di Sacco (PD) Italy

+39 049 9719 111

Fax: +39 049 5841 257

Asia

29/F, The Orient Square Building

F. Ortigas Jr. Road, Ortigas Center

Pasig City 1605

Philippines

+63 2 687 6615

Fax: +63 2 730 9572

Emerson Network Power.

The global leader in enabling *Business-Critical Continuity™*

■ AC Power

■ Embedded Computing

■ Outside Plant

■ EmersonNetworkPower.com

■ Racks & Integrated Cabinets

■ Connectivity

■ Embedded Power

■ Power Switching & Controls

■ Services

■ DC Power

■ Infrastructure Management & Monitoring

■ Precision Cooling

■ Surge Protection