



**POWER PROTECTION**

## **Series 600**

**Multi-Module Uninterruptible Power System  
Continuous Power-Tie Configuration**

**User  
Manual**

---

---

## TABLE OF CONTENTS

<b>1.0</b>	<b>SYSTEM DESCRIPTION</b>	
1.1	Control System Features . . . . .	5
1.2	Operational Description . . . . .	5
1.2.1	Operational Choices . . . . .	5
1.2.2	Momentary Tie Operation . . . . .	6
1.2.3	Continuous Tie . . . . .	7
1.2.4	Tie System Components . . . . .	8
1.2.5	Modes of Operation . . . . .	9
<b>2.0</b>	<b>THEORY OF OPERATION</b>	
2.1	Continuous Power-Tie . . . . .	11
2.2	Separating Tied Systems . . . . .	13
2.3	Load Transfers Between UPS Systems . . . . .	13
2.4	Combined Loads on One System from Continuous Tie Operation . . . . .	14
2.5	Combined Loads on One System to Continuous Tie Operation . . . . .	14
2.6	Load Transfer Without Power-Tie Operation . . . . .	14
2.7	Design Criteria . . . . .	16
2.8	Improper User Operation . . . . .	19
2.9	Tie Circuit Breaker or Logic Faults . . . . .	19
2.9.1	What Happens If a Failure Occurs During a Power Transfer . . . . .	19
2.9.2	What Happens If a Logic Failure Occurs During Power Transfer . . . . .	22
2.9.3	Hardware Failures . . . . .	22
2.10	Recommendations - Tie Circuit Breaker Selection . . . . .	22
<b>3.0</b>	<b>CONTROL PANEL DESCRIPTION</b>	
3.1	Mimic Panel . . . . .	23
3.2	Load Transfer Controls . . . . .	24
3.3	Continuous Tie Control . . . . .	25
3.4	Control Inhibits . . . . .	26
3.5	Manual Controls . . . . .	27
<b>4.0</b>	<b>OPERATING INSTRUCTIONS</b>	
4.1	Initial System Start-Up . . . . .	28
4.2	Basic Operation . . . . .	28
4.2.1	Normal Transfer Operation Configurations . . . . .	28
4.2.2	Continuous Tie-Systems . . . . .	31
4.2.3	Isolation for Maintenance . . . . .	33
4.2.4	Operation Scenarios/Transfer Procedures . . . . .	35

---

## FIGURES

Figure 1	Drawing Number RC022241	2
Figure 2	Drawing Number RC022242	3
Figure 3	Drawing Number RC022243	4
Figure 4	Drawing Number RC022244	10
Figure 5	Control Panel	12
Figure 6	Drawing Number RC022246	15
Figure 7	Drawing RC022247	17
Figure 8	Drawing Number RC022249	18
Figure 9	Drawing Number RC022244	20
Figure 10	Control Panel	21
Figure 11	Drawing Number RC022248	34
Figure 12	Normal Operation, Loads Are to be Split Between Two Distribution Feeders	35
Figure 13	Transfer Both Load Feeders to One UPS	36
Figure 14	Both Feeders on One System to Normal Operation	36
Figure 15	Transfer 100% Load on One System to 100% Load on a Second System (This is a Two-Step Operation)	37
Figure 16	Normal Split Load Operations to Continuous Tie	37
Figure 17	Continuous Tie to Normal Split Load Operation	37
Figure 18	Continuous Tie to Load on One System	38
Figure 19	Load on One System to Continuous Tie	38
Figure 20	One System in Bypass to both Feeders Combined on Remaining Operational System	38
Figure 21	One System in Bypass to Continuous Tie Operation	39
Figure 22	Transfer PDU or ATS Loads Without Tie (See <b>Figure 19</b> )	40

---

## 1.0 SYSTEM DESCRIPTION

---

The Liebert Continuous Power-Tie™ system provides the capability to momentarily or continuously parallel the output buses of two otherwise independent UPS Systems (See **Figure 1**). It also provides manually initiated, uninterrupted transfers of a critical load bus between the two UPS Systems.

This topology permits one UPS and its associated distribution system to be shut down for maintenance while the load continues to be supplied by another UPS, without the necessity of transferring the load to bypass during shutdown or restart of the UPS being maintained.

In the unlikely event that one or both UPS systems have only partial available capacity (e.g., loss of one or more modules in an otherwise functional system), this partial capacity system can be continuously tied to a second full (or partial) capacity system, powering simultaneously the now-tied two critical buses.

This results in a single, fully redundant UPS system powering two different distribution strings through a single UPS critical bus.

When the off-line (whether for maintenance or repair) modules are brought on-line again, the two UPS critical buses are again separated without the need to transfer to the bypass source. For continuous-tied systems, module kVA ratings must be identical.

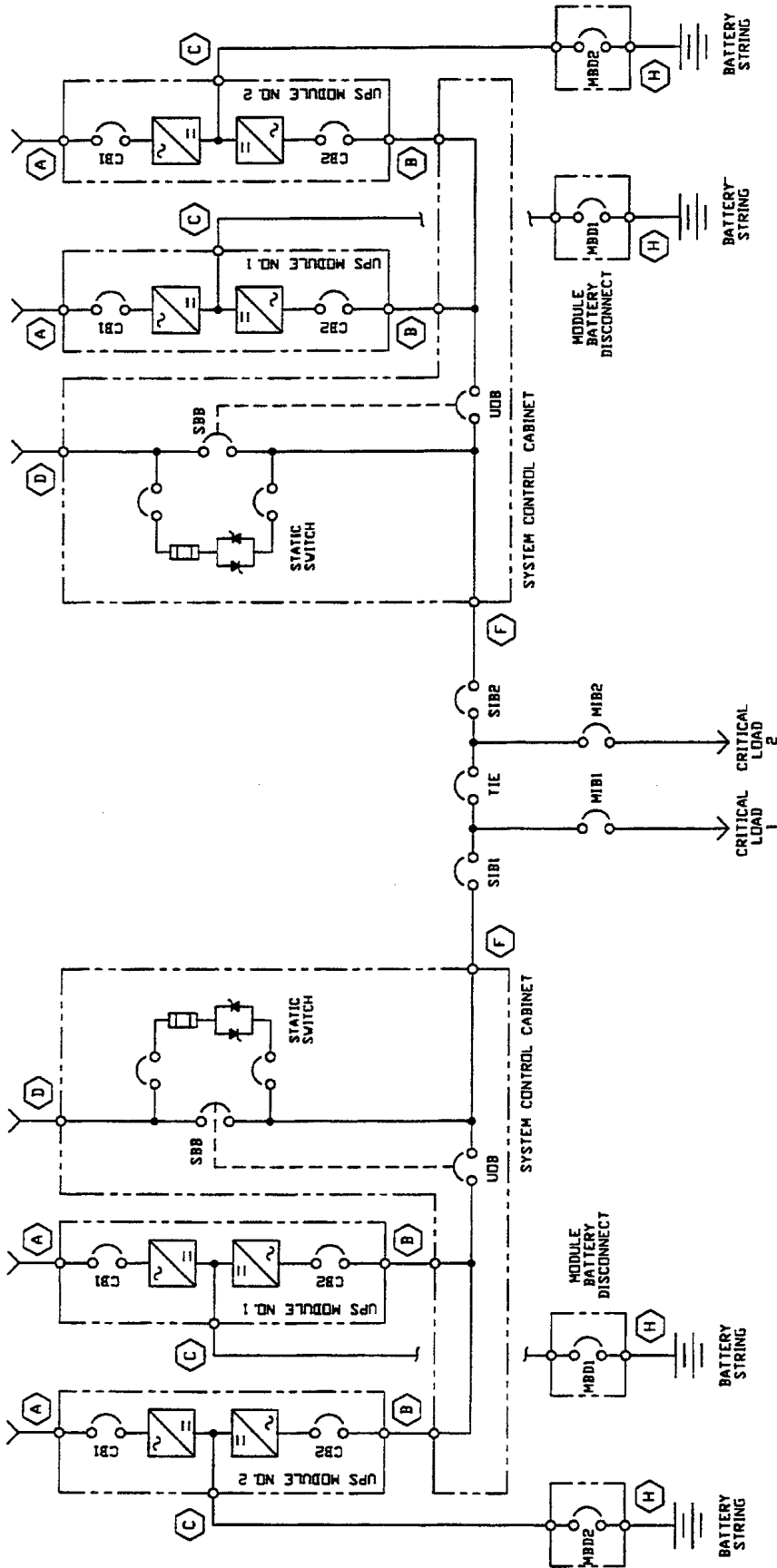
For multiple UPS installations at a single site, best total system reliability is achieved when system-to-system independence is maximized. However, to transfer loads or parallel critical buses between multiple UPS systems, a certain amount of cross-connected system-to-system power and signal conductors are required. See **Figure 2**.

Proper implementation of power conductor runs and circuit breaker placement will minimize the risk that a catastrophic critical bus fault (e.g., a dropped wrench) on one system will cause a failure in a second system.

Liebert has minimized the risk of system-to-system electrical noise susceptibility and faults in system-to-system copper wire control circuitry through the use of fiber-optic technology as well as transformer and impedance isolation techniques in critical control circuits.

The possibility of signal and ground loops through control interconnections has been eliminated by isolating all control signals between each UPS system and the Tie Controls (See **Figure 3**). For example, a water leak over one UPS could effectively short all the control conductors together, causing a catastrophic fault in one system. Through the noted isolation techniques, this fault will not be propagated through intersystem (e.g., load sharing control conductors) control wiring to the second system.

Figure 1 Drawing Number RC022241

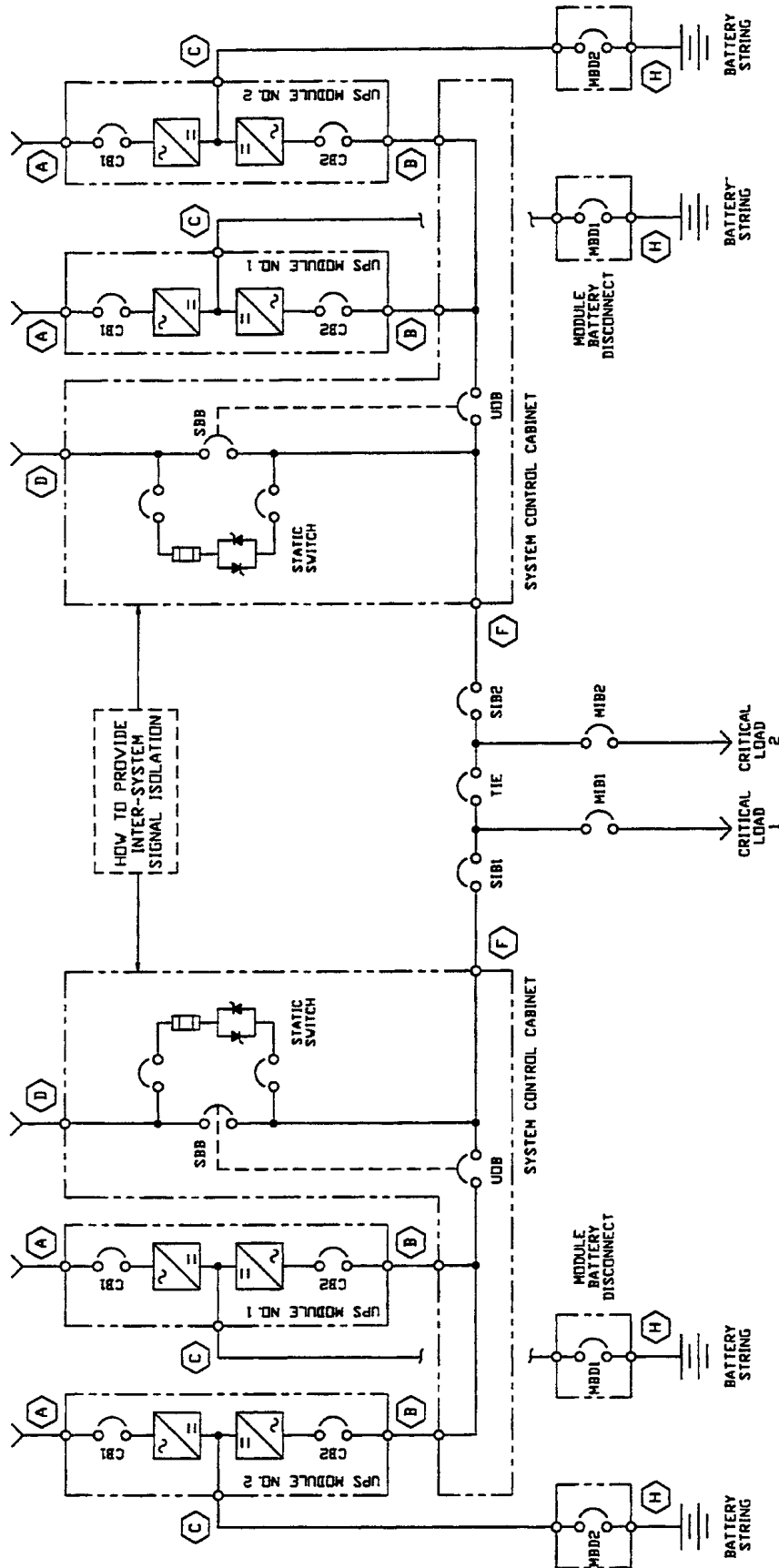


- (A) RECTIFIER AC INPUT
- (B) UPS MODULE AC OUTPUT
- (C) UPS MODULE DC INPUT
- (D) SYSTEM CONTROL CABINET AC INPUT
- (E) UPS SYSTEM AC OUTPUT
- (F) CRITICAL BUS AC OUTPUT
- (G) MODULE BATTERY DISCONNECT TO BATTERY STRING
- (H) MODULE BATTERY DISCONNECT TO BATTERY STRING

DRG. NO. RC022241		DATE 02/22/94		ORDER NO.		TITLE	
						ONE - LINE DIAGRAM POWER TIE SYSTEM	



Figure 2 Drawing Number RC022242



- (A) RECTIFIER AC INPUT
- (B) UPS MODULE AC OUTPUT
- (C) UPS MODULE DC INPUT
- (D) SYSTEM CONTROL CABINET AC INPUT
- (E) UPS SYSTEM AC OUTPUT
- (F) CRITICAL BUS AC OUTPUT
- (G) MODULE BATTERY DISCONNECT TO BATTERY STRING
- (H) CRITICAL LOAD 1
- (I) CRITICAL LOAD 2


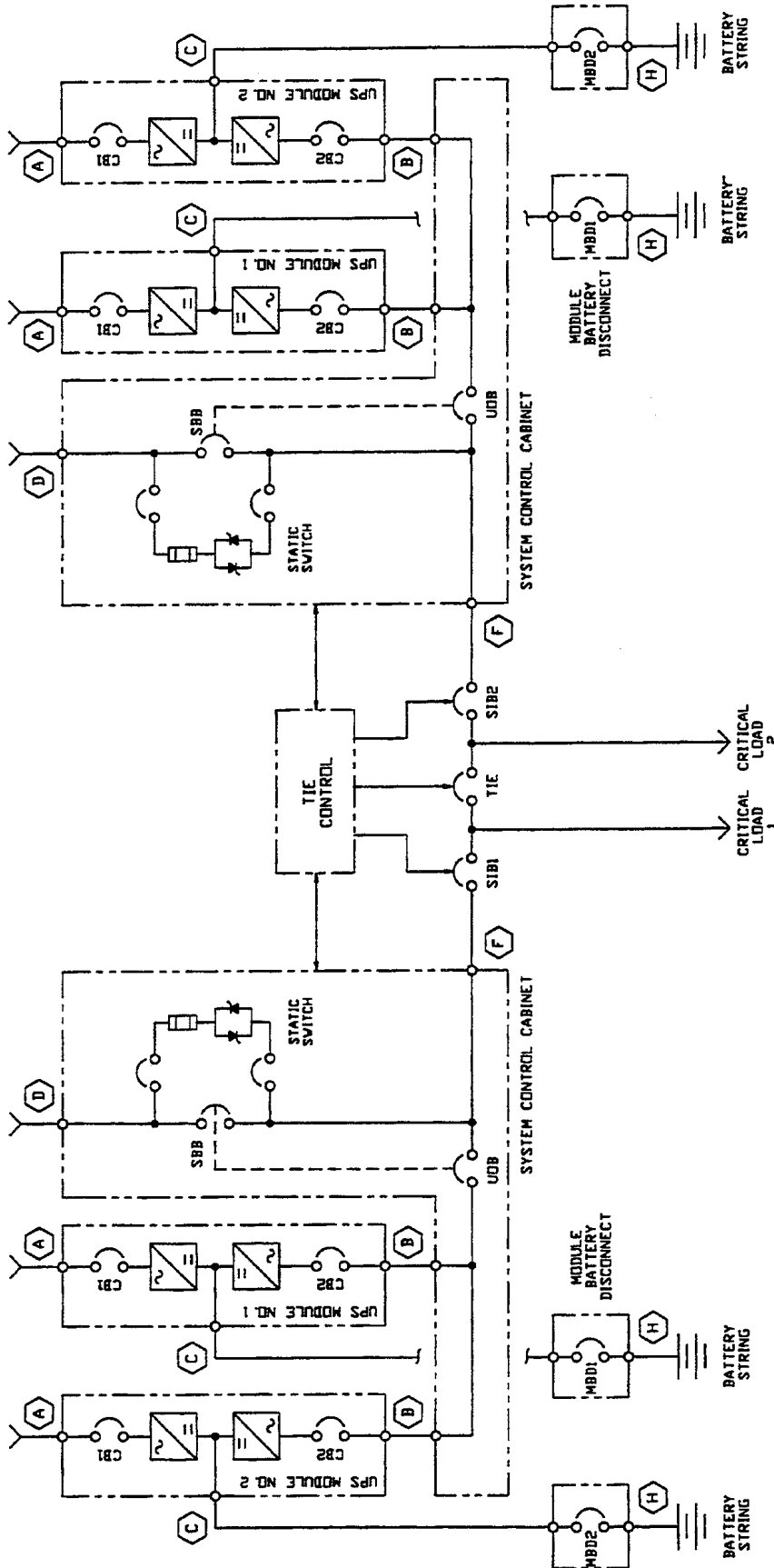
 <small>NEW ADDRESS: 8000 W. 10TH AVE. DENVER, CO 80202</small>		<b>TITLE</b> ONE - LINE DIAGRAM POWER TIE SYSTEM
DRG. NO. RC022242	DATE 02/22/94	ORDER NO.

Figure 3 Drawing Number RC022243



- (A) RECTIFIER AC INPUT
- (B) UPS MODULE AC OUTPUT
- (C) UPS MODULE DC INPUT
- (D) SYSTEM CONTROL CABINET AC INPUT
- (E) UPS SYSTEM AC OUTPUT
- (F) CRITICAL BUS AC OUTPUT
- (G) MODULE BATTERY DISCONNECT TO BATTERY STRING
- (H) BATTERY STRING

DRG. NO. RC022243		DATE 02/22/94	ORDER NO.	TITLE ONE - LINE DIAGRAM POWER TIE SYSTEM
----------------------	--	------------------	-----------	---





---

## 1.1 Control System Features

A key control feature necessary for successful momentary or continuous tie operation of two UPSs is the dynamic load current sharing function.

A key design requirement for maximizing multiple system reliability and inverter availability in tied configurations is assuring maximum system independence under the normal, separated operating conditions.

Liebert has incorporated a number of unique solutions in your Power-Tie™ System to accomplish these high availability/high reliability performance goals:

### Digital Controls

Digital Controls provide more precise control than analog techniques. They permit the direct use of fiber-optics for the most critical intersystem control functions without the need for the additional complexity of A/D and D/A converters. Digital Controls are very reliable, implemented using internally redundant ASICs (application specific integrated circuits) with millions of field-proven trouble-free operating hours, provide rock-solid UPS load sharing and synchronization control under dynamic load conditions.

### Digital Phase Lock of UPM Inverters

Parallel module inverters are all tightly phase-locked together by redundant digital timing buses. No master oscillator is required. This feature, coupled with closely matched module output impedances, provides the primary module-to-module load sharing function to approximately  $\pm 10\%$ . This degree of load sharing is good enough, under emergency conditions, to provide acceptable operation for system load sharing and transfer operations.

### System Output Voltage Control

A separate, independent and isolated system control function for output voltage which also makes a secondary contribution to the load share function of an additional  $\pm 3\%$ .

### Module Load Sharing

An additional, separate, independent secondary control function contributes another  $\pm 3\%$  of inter-module load sharing.

These three independent control functions are additive in contribution to the module load share function, and provide an additional level of redundancy to this function without simply duplicating a circuit.

In combination, these three control functions provide module load sharing to better than  $\pm 5\%$ . The system will continue to operate acceptably well with the loss of one or more of these control functions. The loss of which will be annunciated through the diagnostic system.

In a tied system configuration these critical functions, coupled with the Tie Control Unit, provide the degree of load share control required, while maintaining system-to-system independence and isolation.

## 1.2 Operational Description

### 1.2.1 Operational Choices

See **Figure 3**.

Momentary Tie provides intersystem transfer capability without bypass required, permitting on-line maintenance of the unloaded UPS and distribution system.

Continuous Tie permits tying the remaining modules in both systems together to act as a single multi-module system, in the unlikely event that multiple module failures have reduced the UPS system(s) capacity.

---

## 1.2.2 Momentary Tie Operation

See **Figure 3**.

Momentary Tie operation provides manually initiated, uninterrupted transfers of a critical load bus between two otherwise independent multi-module UPS systems. This topology permits individual UPS shutdown for maintenance while its load continues to be supplied by another UPS without the necessity of transferring the load to bypass during shutdown or restart of the UPS being maintained.

A major goal in the design of Momentary Tie Operation was to provide the same high reliability associated with a standard parallel redundant system while providing more system flexibility for maintenance purposes.

The key to maximizing reliability of this configuration is to maintain as much independence as possible between systems, and retain the same basic concepts in transfer philosophy that have served so well in current standard Series 600 UPS systems (as well as previous Series 500 designs).

The only time intersystem controls are active is during the actual operation of transferring loads back and forth between the UPS systems, a period of a few cycles. At all other times, the UPS systems are operating independently.

Following are two main functions associated with the Momentary Tie:

- Intersystem synchronizing
- Intersystem transfer control and switchgear.

### Intersystem Synchronizing

Synchronization between UPS systems is accomplished by momentarily synchronizing one UPS output (the system accepting the load) to the same sync source the other system is using. The internal clock frequency reference will be used if the Bypass Source is not available as a frequency reference.

When sync signal coincidence is achieved the module sync buses will be tied to lock the modules of both systems in tight synchronization. The associated Tie Control Unit does not perform the sync function, but instead simply supplies each UPS with a sync reference signal, depending on which direction the transfer is going to go. Synchronization of each UPS will automatically revert to its internal bypass sync at the conclusion of the transfer sequence.

### Momentary Tie Transfer Controls

The transfer control operates the Tie Breaker and System Isolation Breakers in a sequential make-before-break manner to permit the uninterrupted transfer of a critical load between two UPS systems.

The breakers are operated such that there is an approximate 5 cycle overlap time when the two UPS systems are paralleled prior to one or the other UPS being isolated by its associated Isolation Breaker. Or, the systems are separated via the Tie Breaker opening when returning a load to its normal position).

Should one system transfer to bypass due to overloads or faults, this function can be used to transfer the critical load bus to the second on-line system. The second system is able to pick up the load from the first system's bypass without having to bypass the second system.

This transfer operation is identical to the normal internal transfer from UPS to bypass and return, an operational sequence that is a reliability cornerstone of the Liebert UPS. The difference in this tie function is that the Isolation and Tie breakers replace the functions otherwise performed by the System Bypass Breaker (SBB) and UPS Output Breaker (UOB) devices.

---

The Tie Control Unit also contains interlock and monitoring circuitry necessary to assure successful transfers of load between UPS systems. These consist of the following:

1. Sync Verification circuitry, similar to the circuitry employed in each UPS, provides the sync check function in two independent modes:
  - a. Phase Difference detection for  $\pm 3$  degrees.  
Phase Difference inhibits a transfer if limits are exceeded.
  - b. Voltage Difference detection for  $\pm 5\%$ .  
Voltage Differential inhibits transfers if limits are exceeded (if phase error is greater than  $\pm 3$  degrees, the Voltage Difference will also exceed  $\pm 5\%$ ), making the differential voltage detection a redundant phase detector.
2. Load Verification circuitry prohibits transfer if the resulting total system load will exceed the capacity of one UPS System (the system which will assume all the critical load once the transfer is complete).

### 1.2.3 Continuous Tie

See **Figure 3**.

The Liebert Continuous Tie system is a topology that extends the concept of a manually initiated momentary tie of UPS critical load buses by providing the capability to continuously parallel the output buses of two otherwise independent UPS Systems.

All the performance features of a momentary tie system are available in the continuous tie system. In the unlikely event that one UPS system or both UPS systems have only partial available capacity (e.g., loss of one or more modules in an otherwise functional system), this partial capacity system can be continuously tied to a second full (or partial) capacity system, powering simultaneously the now-tied two critical buses.

This results in a single, fully redundant UPS system powering two different distribution strings through a single UPS critical output bus. When the off-line (whether for maintenance or repair) modules are brought on-line again, the two UPS critical buses are again separated, all in a make-before-break manner, and without the need to transfer to bypass sources. For continuous-tied systems, module kVA ratings must be identical.

There are two main control functions associated with the Continuous Tie:

- Intersystem synchronizing and load sharing;
- Intersystem transfer/parallel control and switch gear.

#### Intersystem Sync and Power Sharing

Synchronization between the UPS systems is accomplished in a two step process:

First, a line sync source is chosen. This will be the bypass power source of the UPS system that is the manually selected preferred bypass source. Generally, if one system is to be shut down for maintenance after the two systems and loads are paralleled, the preferred bypass source is the system remaining on line during the maintenance activities. Both systems are synchronized to the preferred bypass.

Second, once both UPSs are in sync with one bypass, inter-module sync is enabled. This is a redundant digital sync bus that holds all modules of both systems in phase-lock operation, with or without a bypass reference. This ensures that the individual modules of both systems are tightly controlled to enable paralleling.

Load sharing between UPS systems is accomplished by interconnecting the redundant load sharing circuitry of the two systems when the tie breaker between the systems is closed. This operation is analogous to bringing a module on-line in a multi-module system

The voltage synchronizing and load sharing loops also back up each other. Together, they hold module load sharing to within  $\pm 5\%$  of load current. Should one or the other loop be inoperative, load sharing can still be maintained within acceptable limits.

Synchronizing activity takes place automatically once the preferred source is chosen and a manually initiated "SYNCHRONIZE SYSTEMS" signal is given. Visual indicators show that the systems are synchronizing and when the systems are ready for the manually initiated, automatically controlled paralleling sequence.

---

## Continuous Tie/Transfer/Parallel Control

The transfer load and tie controls operate the tie breakers between systems in a sequential manner to allow paralleling and make-before-break transfer of loads. Once the synchronizing sequence is complete visual indicators show parallel operation is permitted. The operator initiates the closing of the tie breaker. Once initiated, the tie command is executed when conditions of sync and voltage matching are verified prior to tie execution. In essence, the tie breaker closes and two UPS systems are paralleled.

With the two systems operating in parallel, only one bypass circuit is active. Should something occur that requires the UPS to automatically transfer to bypass, then all the load will be supplied through the static switch and bypass circuit breaker of the system that was selected as the preferred source.

When the two systems are paralleled, it is possible to isolate and then shut down one system entirely for maintenance. The system to be shut down must be the one that is not the designated preferred source. Shutdown is accomplished by first opening the System Isolation Breaker of the selected system. Once this action is taken, all the load remains on the preferred system.

The three load sharing control circuits between systems are disconnected with the opening of the System Isolation Breaker. At this time, sync control of the off-line system will be returned to its own local bypass source, and the system can be operated in its normal manner for testing and maintenance.

Restart of the systems under maintenance is accomplished in the normal manner. Once the system has been brought on-line, the resync to the on-line system can be initiated. The sequence from this point is similar to the sequence that paralleled the two systems initially. As soon as the OK TO TIE SYSTEMS indication is given the System Isolation Breaker can be closed, once again paralleling the two systems and enabling the load-sharing loops between the two.

Taking the systems out of parallel operation is manually initiated. The tie breaker automatically opens separating the loads onto their respective UPS systems. The intersystem power sharing is disabled and the sync circuits revert to independent operation.

### 1.2.4 Tie System Components

See **Figure 4**.

A Liebert Power-Tied Uninterruptible Power System consists of the following basic components:

1. Two complete, independent UPSs with individual load buses, each with the capability to source the combined critical load of the two load buses. Each of the two UPSs may be, single module system (SMS) or a multi-module system (MMS).
2. Two discrete system input sources, each with the capacity to source the combined critical load. The two input sources need only be acceptable with regard to frequency and voltage. The two sources do not require an in-phase relationship.
3. Two discrete bypass sources, each with the capacity to source the combined critical load. The two bypass sources need only be acceptable with regard to voltage and frequency, such as the utility or an emergency generator, and are not required to be in-phase. However, if make-before-break downstream load switching equipment, such as automatic transfer switches or dual input power distribution units, is intended to be used, having the two bypass sources in sync is preferable. This topic is discussed further in **Section 2.6 - Load Transfer Without Power-Tie Operation**.
4. One system isolation and tie switchboard containing system isolation breakers and tie breaker(s).
5. Tie Control Unit, wall or floor mounted or installed in the tie switchboard.
6. Optional maintenance bypass breakers and test load distribution.

---

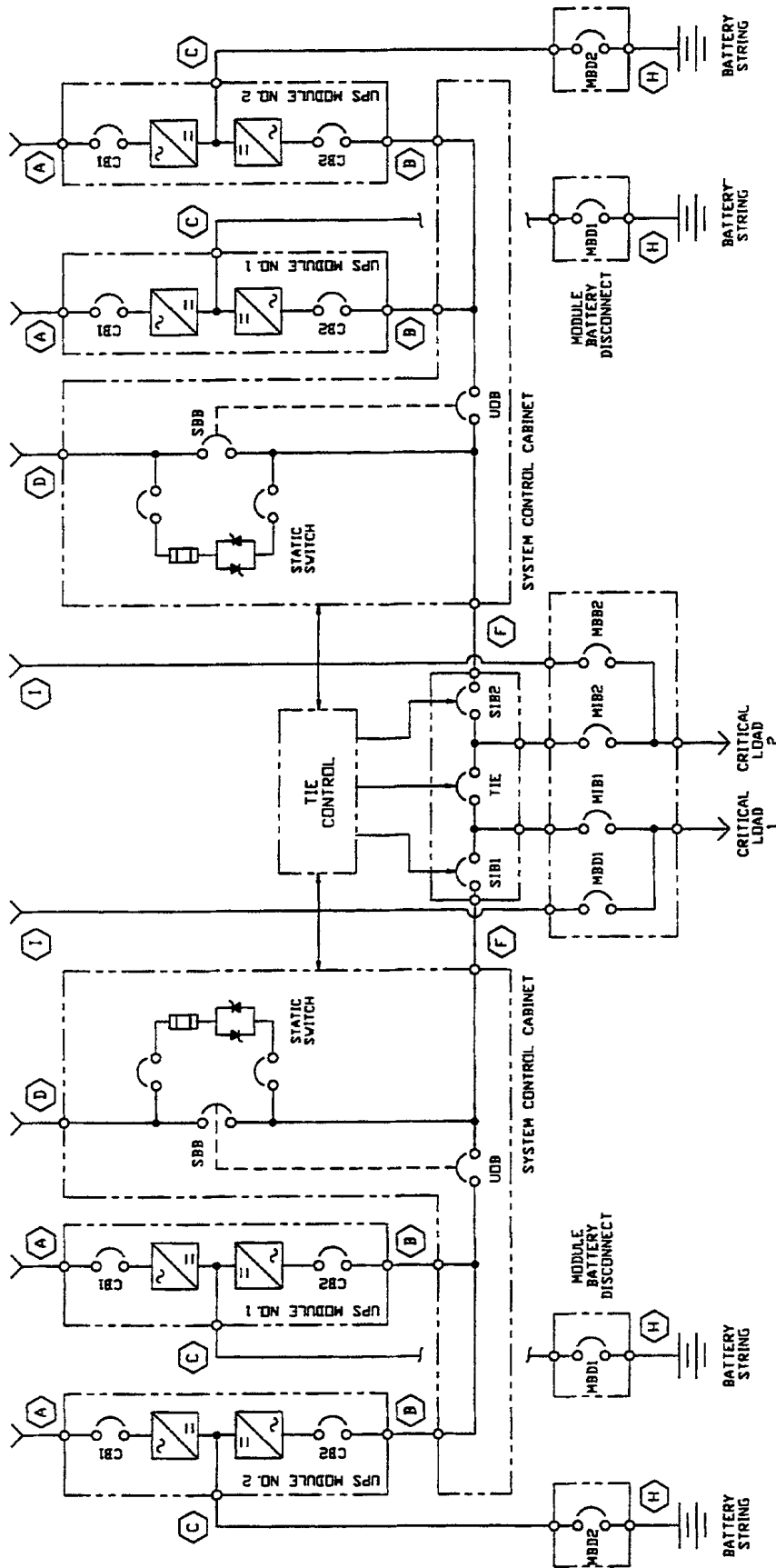
## 1.2.5 Modes of Operation

See **Figure 4**.

The Power-Tie Uninterruptible Power System is designed to operate in the following modes:

1. **Normal** - Each load bus is fed from its respective UPS and the tie breaker is open. Each inverter is synchronized to its respective bypass source. Each load is supplied by its inverter(s), with its bypass available as an alternate source.
2. **Momentary Tie** - The load bus and the two UPSs are momentarily paralleled through the tie breaker. Both UPSs are on-line, and the bypass source of one UPS will be selected as the primary sync source. When one UPS drops off-line, then operation reverts to the Combined Loads Mode below.
3. **Combined Loads** - Both loads are running on one UPS through the tie breaker. The combined loads are supplied by the selected UPS's inverter(s), with that UPS's bypass available as the alternate and sync source. This mode is typically used for servicing a UPS system, including its bypass and bypass transfer controls, without placing that UPS's load on bypass.
4. **Continuous Tie** - The load bus and the available modules from the two UPS are continuously paralleled through the tie breaker. Both UPSs are on-line, and one UPS's bypass source will be selected as the alternate bypass and sync source. Although not normally done from this operational mode, one of the two UPSs could be shut down and isolated at this point as well.
5. **System Isolation** - A selected load bus which has had all load removed (via shutdown, external maintenance bypass or downstream critical load switchover devices—dual input PDU or ATS) may be isolated from one or both UPSs for maintenance.

Figure 4 Drawing Number RC022244



- (A) RECTIFIER AC INPUT
- (B) UPS MODULE AC OUTPUT
- (C) UPS MODULE DC INPUT
- (D) SYSTEM CONTROL CABINET AC INPUT
- (E) UPS SYSTEM AC OUTPUT
- (F) CRITICAL BUS AC OUTPUT
- (G) MODULE BATTERY DISCONNECT TO BATTERY STRING
- (H) MAINTENANCE BYPASS AC INPUT
- (I)

DRG. NO. RC022244	DATE 02/22/94	ORDER NO.	TITLE ONE - LINE DIAGRAM POWER TIE SYSTEM
----------------------	------------------	-----------	---



---

## 2.0 THEORY OF OPERATION

---

There are two types of operations which can be performed with the Liebert Continuous Power-Tie System.

- Create a continuous tie between the critical buses of two UPS systems
- Transfer of a critical load between two UPS systems

### 2.1 Continuous Power-Tie

The following sequence of operations describe the actions to take to continuously tie two UPS systems together. See **Figure 5**.

#### Selecting a Line Sync Source

From the Continuous Power-Tie Control Panel, select SYS1 or SYS2 using the PRIMARY BYPASS SELECT switch.

Should a fault occur with the UPS systems in parallel, the chosen line sync source becomes the bypass source for the critical loads.

#### Synchronizing the UPS Systems

From the Continuous Power-Tie Control panel, press the SYNCHRONIZE SYSTEMS button. The Power-Tie logic checks for proper state indications from the UPS systems and the circuit breakers. The SYNCHRONIZE SYSTEMS button light turns on to indicate the UPS systems have begun synchronizing to the selected primary bypass.

The PRIMARY BYPASS light from the selected UPS system (UPS System 1 or UPS System 2) turns on to identify the primary bypass.

With the line sync controls tied, the continuous power-tie logic checks the inter-module sync signals for coincidence. The Power-Tie logic ties the inter-module sync signals when coincidence occurs.

This redundant digital sync bus holds all modules in sync, with or without a bypass reference. Using the redundant digital bypass makes certain the individual modules of both systems are tightly controlled to enable the parallel operation of the UPS systems.

The SYNCHRONIZING light on the Control Status panel turns on (and stays on) during synchronization.

#### Checking for Phase, Voltage, and Capacity

The Power-Tie logic checks these UPS system parameters, phase, voltage, and capacity, to determine if they are within their proper limits. The OK TO TIE SYSTEMS light (from the CONTINUOUS TIE CONTROL section of the control panel) turns on when these parameters are within their proper limits.

#### OK to Tie UPS Systems

After the OK TO TIE SYSTEMS light turns on, press the PUSH TO TIE SYSTEMS AFTER OK button, on the CONTINUOUS TIE CONTROL panel. The TIE CB (tie circuit breaker) light turns on, indicating the breaker has closed.

Both of the SYSTEMS TIED lights (on the LOAD 1 and LOAD 2 panels) turn on to indicate the tied UPS system status.

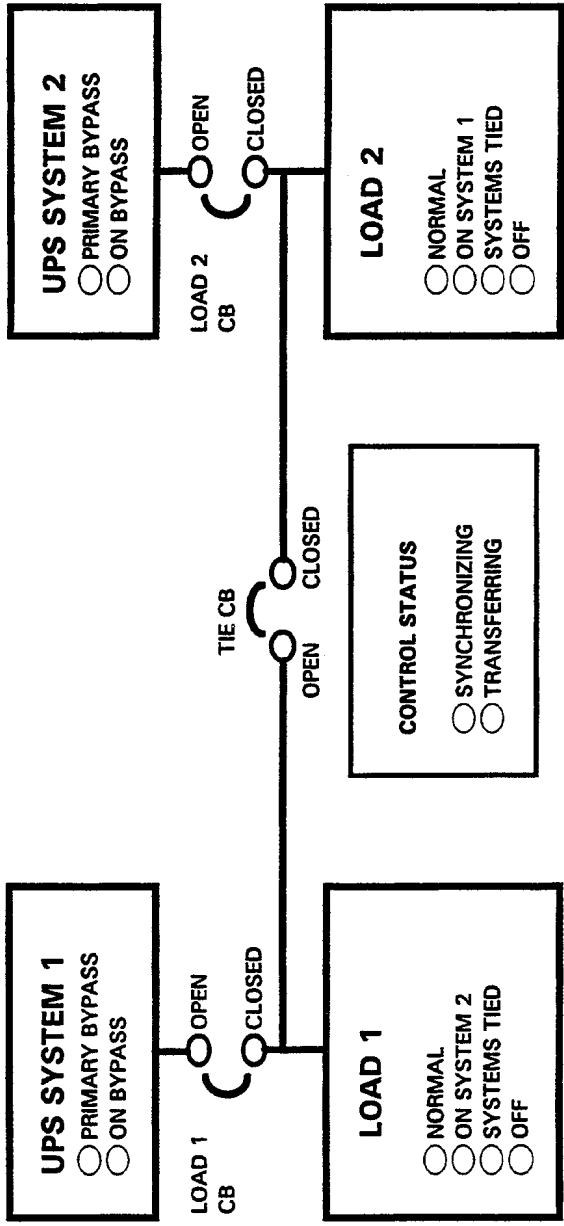


#### NOTE

*Systems may be paralleled with the UPS systems initially separate or if both loads are initially on one UPS system while the other was being serviced.*

With the two UPS systems in parallel, the voltage synchronization and power sharing loops become tied. Together, these controls hold the module load sharing to within  $\pm 5\%$  of load current. Should one or the other control be inoperative, the Power-Tie logic can still maintain load sharing within acceptable limits.

Figure 5 Control Panel



**LOAD TRANSFER CONTROL**

- 'OK' TO TRANSFER LOAD 1 TO SYSTEM 1
- 'OK' TO TRANSFER LOAD 1 TO SYSTEM 2
- 'OK' TO TRANSFER LOAD 2 TO SYSTEM 1
- 'OK' TO TRANSFER LOAD 2 TO SYSTEM 2
- TRANSFER CONTROL DISABLED
- TRANSFER FUNCTION AVAILABLE

TRANSFER LOAD TO

SYSTEM 1 (Push again to cancel)

SYSTEM 2 (Push again to cancel)

PUSH TO TRANSFER AFTER 'OK'

**CONTINUOUS TIE CONTROL**

- 'OK' TO TIE SYSTEMS
- 'OK' TO OPEN TIE
- TIE CONTROL DISABLED

PRIMARY BYPASS SELECT

SYS 1      SYS 2

SYNCHRONIZE SYSTEMS (Push again to cancel)

PUSH TO TIE SYSTEMS AFTER 'OK'

PUSH TO OPEN TIE AFTER 'OK'

**CONTROL INHIBITS**

- PHASE LOCKOUT
- VOLTAGE LOCKOUT
- LOAD LOCKOUT
- LOGIC FAILURE

LAMP TEST

EMERGENCY TRIP BUTTONS FOR TIE CIRCUIT BREAKERS LOCATED ON PANEL BEHIND THIS DOOR

**Liebert**



---

## 2.2 Separating Tied Systems

The following sequence of operations describes the actions taken to separate two tied UPS systems.

### Synchronize Systems

From the CONTINUOUS TIE CONTROL section, press the SYNCHRONIZE SYSTEMS button. The button's light turns off to provide a visual indication of the operator's intention to separate the systems. The SYNCHRONIZE SYSTEMS button toggles between indicating the intention to parallel or separate the two UPS systems.

### Verifying Capacity

The Power-Tie logic checks the UPS systems and their loads to verify both systems have sufficient capacity to maintain their loads once the systems are separated. If both UPS systems have sufficient capacity, the OK TO OPEN TIE light turns on in the TIE CONTROLS section of the control panel.

### OK to Open Tie

After the OK TO OPEN TIE light turns on, press the PUSH TO OPEN TIE AFTER OK button. The tie breaker trips to separate the two UPS systems. Both systems automatically resynchronize to their own bypass source; and all control loops between the systems separate.

## 2.3 Load Transfers Between UPS Systems

Functionally, load transfers are a continuous tie operation followed by an immediate selective separation of the systems. The following sequence of operations describes the actions taken to transfer a load between UPS systems.

### Selecting a System for Transfer

Select the system you want to receive the load, system 1 or system 2. Press the TRANSFER LOAD TO button (for system 1 or system 2) on the LOAD TRANSFER CONTROL section of the control panel. The system 1 or system 2 light turns on to indicate your selection.

You can cancel your selection by pressing the system button again. The button toggles between select and deselect.

### Synchronizing to the Bypass Source

The two UPS systems synchronize to the proper bypass source to perform the selected transfer. With the line sync controls tied, the continuous Power-Tie logic checks the inter-module sync signals for coincidence. The Power-Tie logic ties the inter-module sync signals when coincidence occurs.

The SYNCHRONIZING light in the CONTROL STATUS section of the MIMIC panel turns on to let the operator know synchronization is still in progress.

### Checking for Phase, Voltage, and Capacity

The Power-Tie logic checks these UPS system parameters, phase, voltage, and capacity, to determine when they have reached their proper limits. The OK TO TRANSFER LOAD (#) TO SYSTEM (#) indicator turns on in the LOAD TRANSFER CONTROL section of the control panel on when these parameters reach their proper limits.

### Transferring the Load

After the OK TO TRANSFER LOAD (#) TO SYSTEM (#) light turns on, press the PUSH TO TRANSFER AFTER OK button.

The Power-Tie logic operates the proper circuit breakers in a make-before-break manner to transfer the load.

Once the transfer starts, the TRANSFERRING light in the CONTROL STATUS section of the MIMIC panel turns on indicating a transfer in progress. With the two UPS systems in parallel, the voltage synchronization and power sharing loops become tied.

---

## Transfer Complete

When transfer is complete, both systems automatically resynchronize to their own bypass source; and all control loops between the systems separate.

## 2.4 Combined Loads on One System from Continuous Tie Operation

To combine two loads onto one system, perform a LOAD TRANSFER BETWEEN UPS SYSTEMS (2.3 - Load Transfers Between UPS Systems). The operator selects the system he wants to maintain both loads using the TRANSFER LOAD TO buttons. The operator can then proceed with the rest of the procedures in 2.3 - Load Transfers Between UPS Systems.

## 2.5 Combined Loads on One System to Continuous Tie Operation

To create a continuous tie from combined loads on one UPS system, perform a CONTINUOUS TIE operation (Section 2.1 - Continuous Power-Tie).

The Power-Tie logic selects the proper circuit breaker to operate. Once the tie operation begins, the two UPS systems synchronize to the selected primary bypass source.

The Power-Tie logic:

- Checks the system configuration
- Verifies synchronization
- Verifies system voltages are within limit
- Verifies both the on-line UPS systems have sufficient capacity to maintain the combined loads before allowing the systems to tie

## 2.6 Load Transfer Without Power-Tie Operation

See **Figure 6**. If your dual feeder distribution system has make-before-break dual-input PDUs, ATSSs, or similar devices, you do not necessarily have to tie the two UPS together to perform a partial load transfer.

### Conditions

If the bypass sources maintain a phase-match sync condition (e.g., they have the same bypass source), then the critical bus outputs can maintain a near phase-match.

This phase-match is normally close enough ( $\pm 3$  degrees,  $\pm 5$  percent voltage differential) that using make-before-break downstream devices do not require tying the two systems together before executing a make-before-break transfer.

### Control Functions

To perform a load transfer without Power-Tie operation the following control functions must be in place.

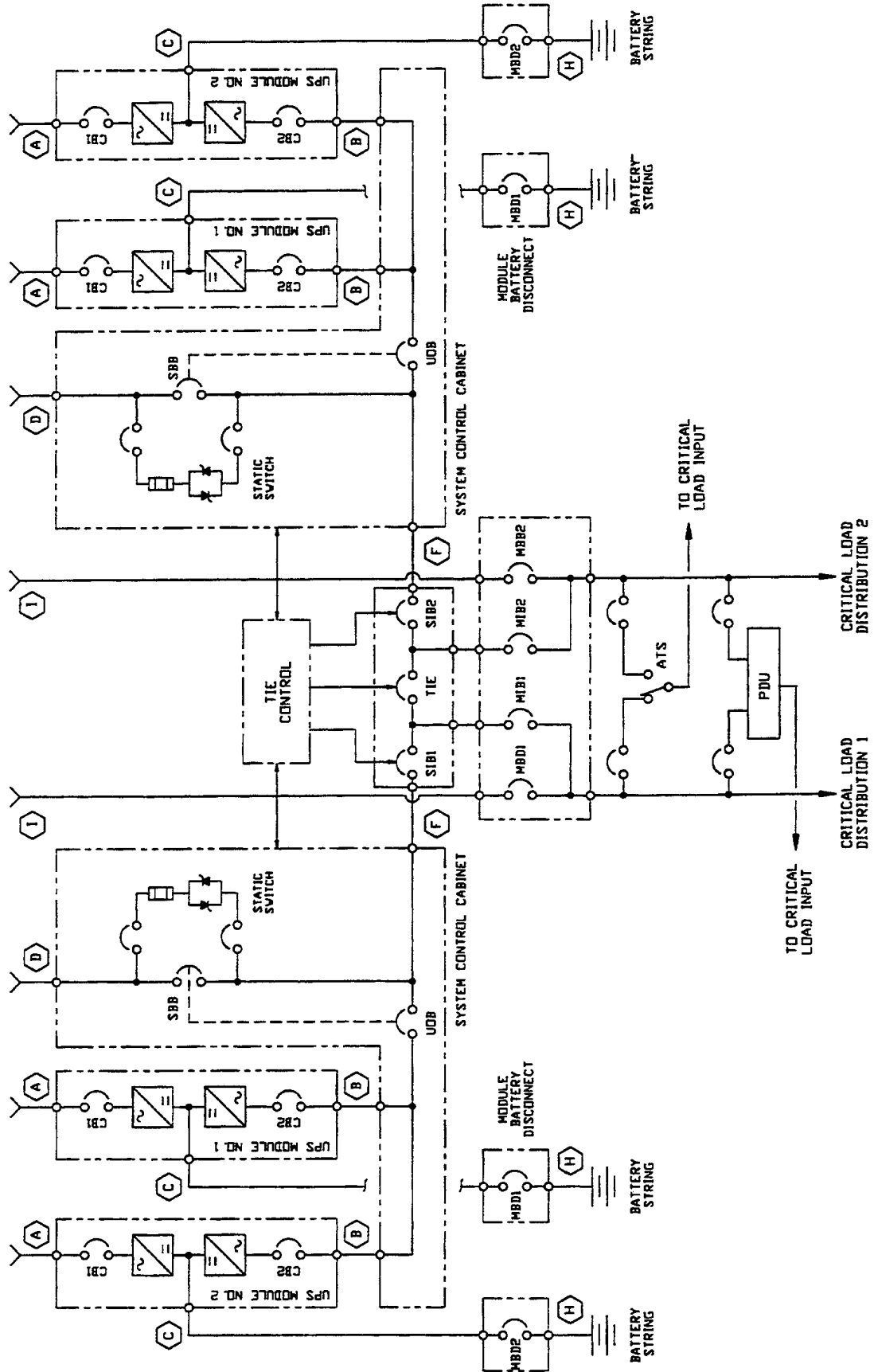
The Tie Control Unit provides an isolated contact closure any time the two UPS output buses are within  $\pm 3$  degrees and  $\pm 5\%$  voltage differential. This contact closure signal must be provided to any downstream make-before-break device.

Any downstream make-before-break switchover device must be provided with a local in-phase sensor.

Make-before-break transfers using local switchover devices can only be permitted when both in-phase signals from the System Tie Control and the local in-phase sensor both provide an "OK to Transfer" signal.

If the two bypass sources are not in phase-match, then the two UPS systems must be placed in Continuous Tie operation before downstream make-before-break switchover devices can be operated.

Figure 6 Drawing Number RC022246



DRG. NO. RC022246		DATE 02/22/94	ORDER NO.	TITLE ONE - LINE DIAGRAM POWER TIE SYSTEM
----------------------	--	------------------	-----------	---



---

## 2.7 Design Criteria

The ultimate power goal in the design of the Liebert Continuous Tie System is to provide maximum UPS availability and maintainability without compromising the inherent reliability of the UPS systems. We have designed the Continuous Power-Tie system to minimize and eliminate possible failure modes and their effect on the system.

### Isolation and Fault Tolerance

See **Figure 7** and **Figure 8**.

Signal isolation prevents an internal failure from propagating between systems. By using fiber-optics, optical isolators, and isolation amplifiers, we isolate all control signals between each UPS system and the Power-Tie Controls.

To parallel systems requires some amount of intersystem information. The controls have been designed to be as fault tolerant as possible.

We use a parallel module sync bus means because the system will still function if an oscillator in an individual module fails. The parallel module sync bus replaces the master oscillator function.

In tied systems we use a parallel module sync and fiber-optics. Fiber optics transport the module sync signals between systems to maintain isolation. We use fiber optics for these signals since they are the most critical intersystem signals in parallel systems.

### Load Share Signal

The Load Share signal is sent between UPS systems when they are in parallel. Isolation amplifiers isolate the Load Share signal levels between the systems. The load sharing loop and the voltage control improves the module load sharing capability of the modules to within  $\pm 5\%$  of module load. Because a Continuous Tie system uses modules of the same kVA rating, the modules have some inherent capability to share loads due to their similar output impedance. Load Share signals are not as critical as module sync signals.

### System Voltage Control Signal

The System Voltage Control signal is sent between UPS systems when they are in parallel. Isolation amplifiers isolate the System Voltage Control signal levels between the two systems. The System Voltage Control signal helps to maintain load sharing by giving all the modules a common reference signal for output voltage. The System Voltage Control signal is not a critical signal. Loss of the System Voltage Control signal should only cause a minor degrade in module sharing capability, if at all.

### Line Sync Signal

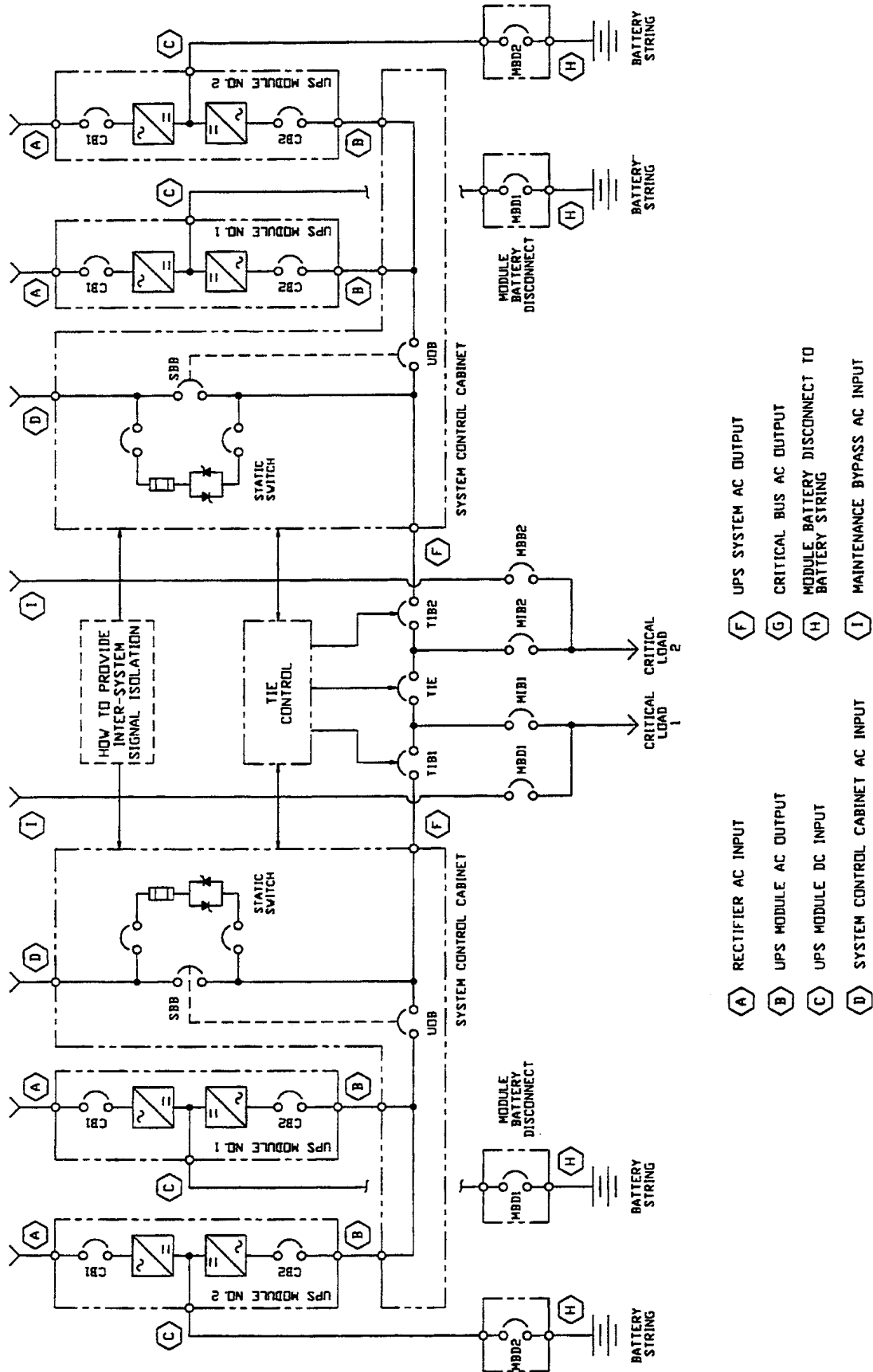
The Line Sync signal is sent between UPS systems when they are in parallel. Isolation amplifiers isolate the Line Sync signal levels between the two systems. The Line Sync signal synchronizes the UPS systems to the Primary Bypass line. By maintaining sync with the Primary Bypass, uninterrupted transfers to the Primary Bypass can be made, if a fault occur while the systems are in parallel.

All status signals sent between the UPS system and the Tie Controls are isolated through optical couplers. In addition, all these status signals have impedance protection between the signal wire connections and the system power supplies and ground.

The Tie Control's power supply can use either UPS system's output as its source and the Tie Control power supply employs transformer isolation.

All necessary voltage sensing occurs at the tie cabinet and employs fuse, transformer and/or impedance protection.

Figure 7 Drawing RC022247



- (A) RECTIFIER AC INPUT
- (B) UPS MODULE AC OUTPUT
- (C) UPS MODULE DC INPUT
- (D) SYSTEM CONTROL CABINET AC INPUT
- (E) UPS SYSTEM AC OUTPUT
- (F) CRITICAL BUS AC OUTPUT
- (G) MODULE BATTERY DISCONNECT TO BATTERY STRING
- (H) MAINTENANCE BYPASS AC INPUT


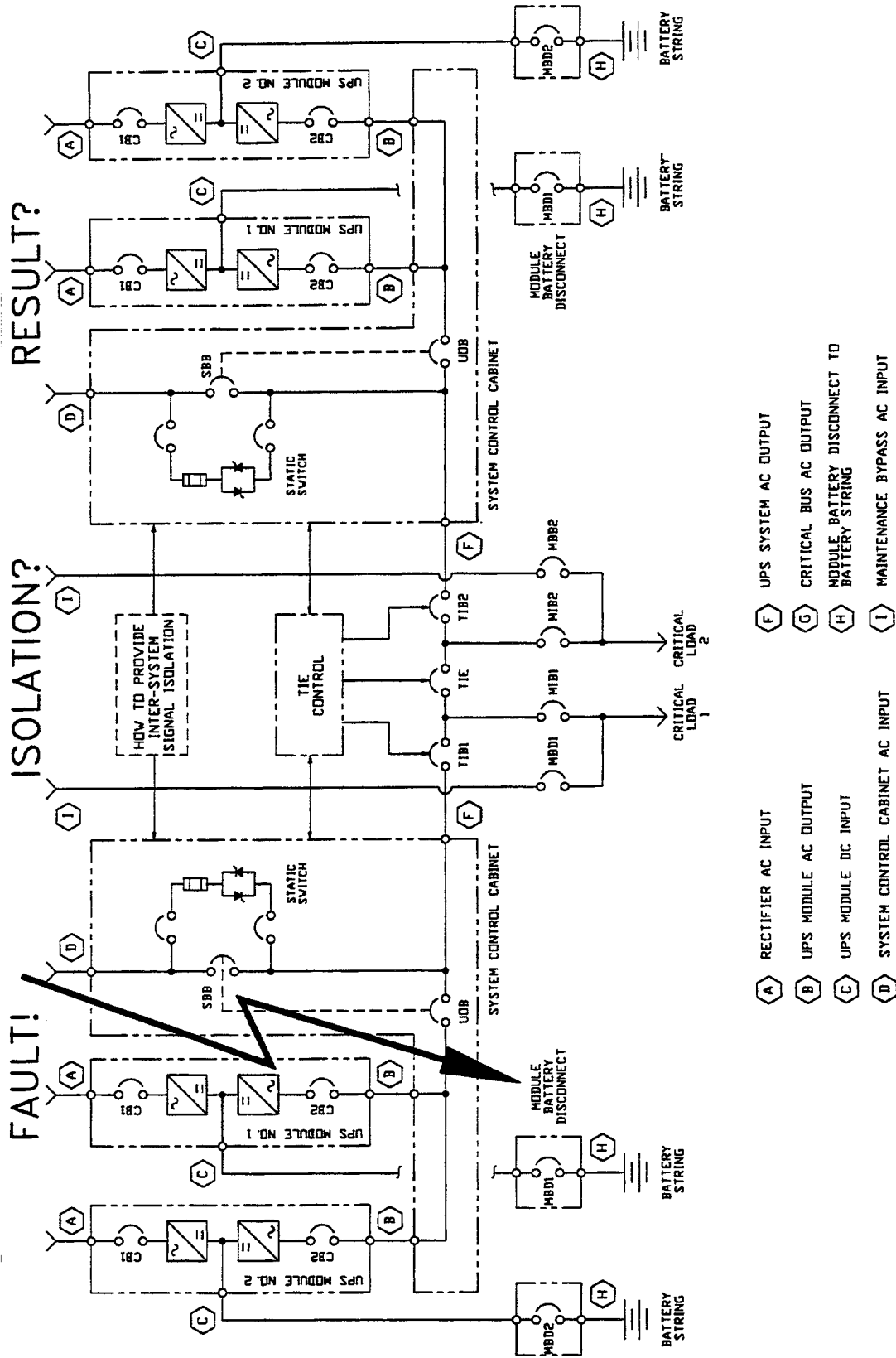
	
DRG. NO. RC022247	DATE 02/22/94
ORDER NO.	TITLE ONE - LINE DIAGRAM POWER TIE SYSTEM

Figure 8 Drawing Number RC022249



DRG. NO. RC022249		DATE 02/22/94	ORDER NO.	TITLE ONE - LINE DIAGRAM POWER TIE SYSTEM
----------------------	--	------------------	-----------	---



---

## 2.8 Improper User Operation

See **Figure 4** and **Figure 5**. The Power-Tie Operator controls and logic are designed so that improper operator use does not directly cause a loss of critical bus functions. Additional security functions, such as removable key switches, are available as system options.

### Transfer Operation

Transfer functions require two push-button operations. Pushing any single button at random, does not put the system at risk. The Power-Tie system has redundant status sensors and monitors them for proper operation.

The operator should use good judgement when operating the Tie Control. The Tie Control cannot prevent an operator from tying to a source that subsequently goes bad.

For example, assume one UPS has gone to bypass. You want to bring the bypass feeder onto the second system. The second system must momentarily tie to the first system's bypass source. If a bypass fault occurs in the first system during the tie operation, both load feeders could fault. To prevent this type of fault, put the first system's bypass source on a standby engine generator.

### Tie Operation

The tie process only requires selection of the desired Primary Bypass Source (which may be left in a default desired position) and the sequential pushing of two buttons. The Power-Tie logic takes care of synchronizing to the select Primary Bypass Source, checking that the systems are in an acceptable configuration, verifying that electrical parameters are within tolerance, and verifying sufficient combined systems capacity.

The sequential operation serves both to eliminate accidental operation and allows the operator an opportunity to cancel an undesired action. Before a transfer or tie operation can be performed the Power-Tie control turns on an OK indicator.

The OK indicator clearly describes the action which will occur.

If the action indicated is not the desired action, the operator simply presses the button he used to initiate the original operation and the operation is canceled. Directions on how to use the "Push Again to Cancel" feature are posted on the Power Tie control panel, next to each applicable push button.

## 2.9 Tie Circuit Breaker or Logic Faults

The Continuous Power-Tie system has been designed to anticipate circuit breaker and logic faults. Should a circuit breaker or logic fault occur, the Power-Tie system maintains the critical bus function under fault conditions

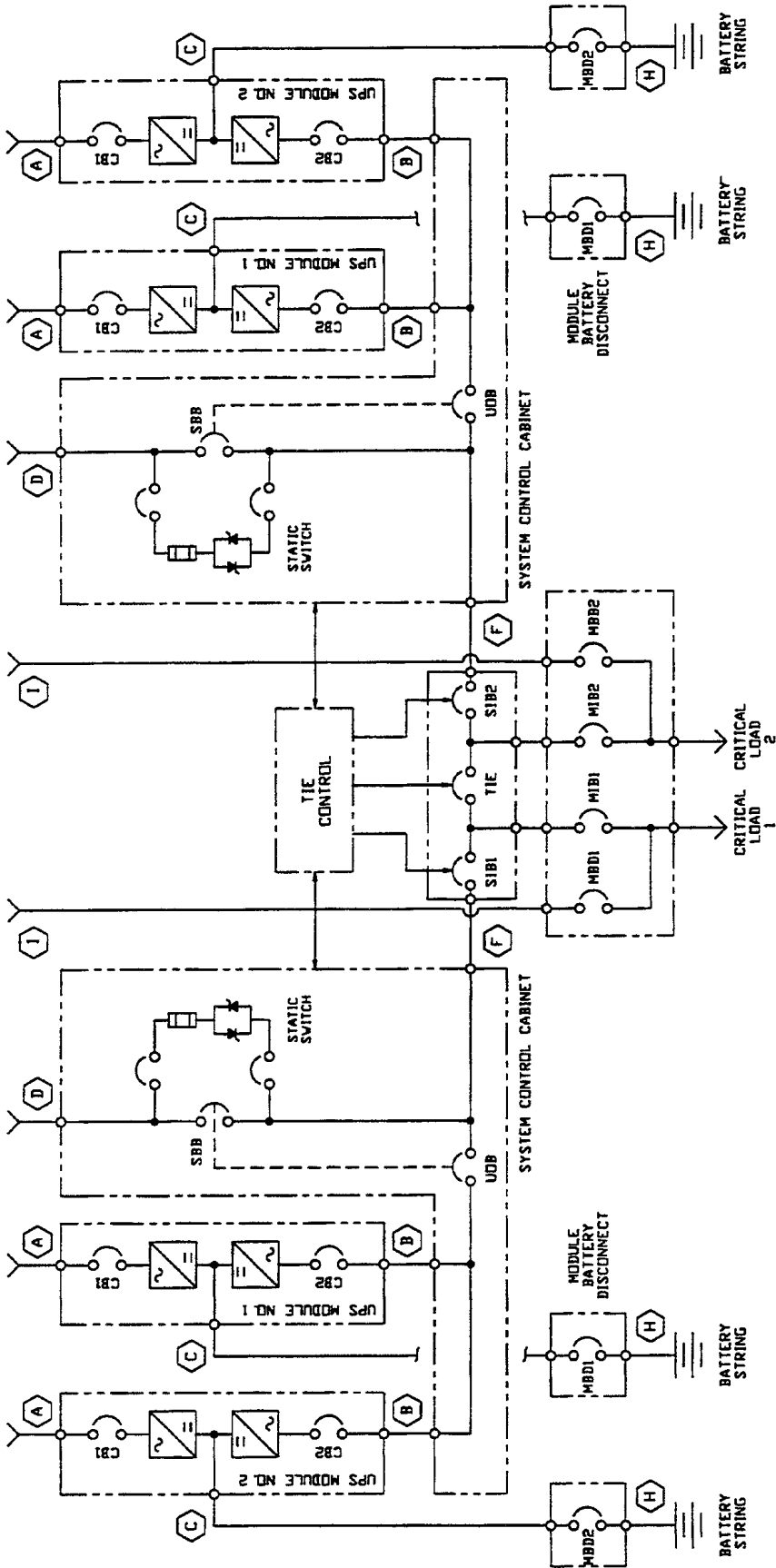
### 2.9.1 What Happens If a Failure Occurs During a Power Transfer

During normal operation, the Power-Tie logic maintains system isolation. Upon power transfer initiation, the Power-Tie logic checks the circuit breaker (CB) positions. The Power-Tie logic inhibits the power transfer if the circuit breaker positions are incorrect.

If all circuit breakers are in their correct positions, then all circuit breakers momentarily remain dosed, tying both system together. The power transfer sequence stops, if the operator selects continuous tie. The static bypass becomes the backup.

If the operator selects momentary Power-Tie, the isolation circuit breaker opens. If this circuit breaker fails to open, the system returns to its initial configuration, maintaining the critical bus.

Figure 9 Drawing Number RC022244

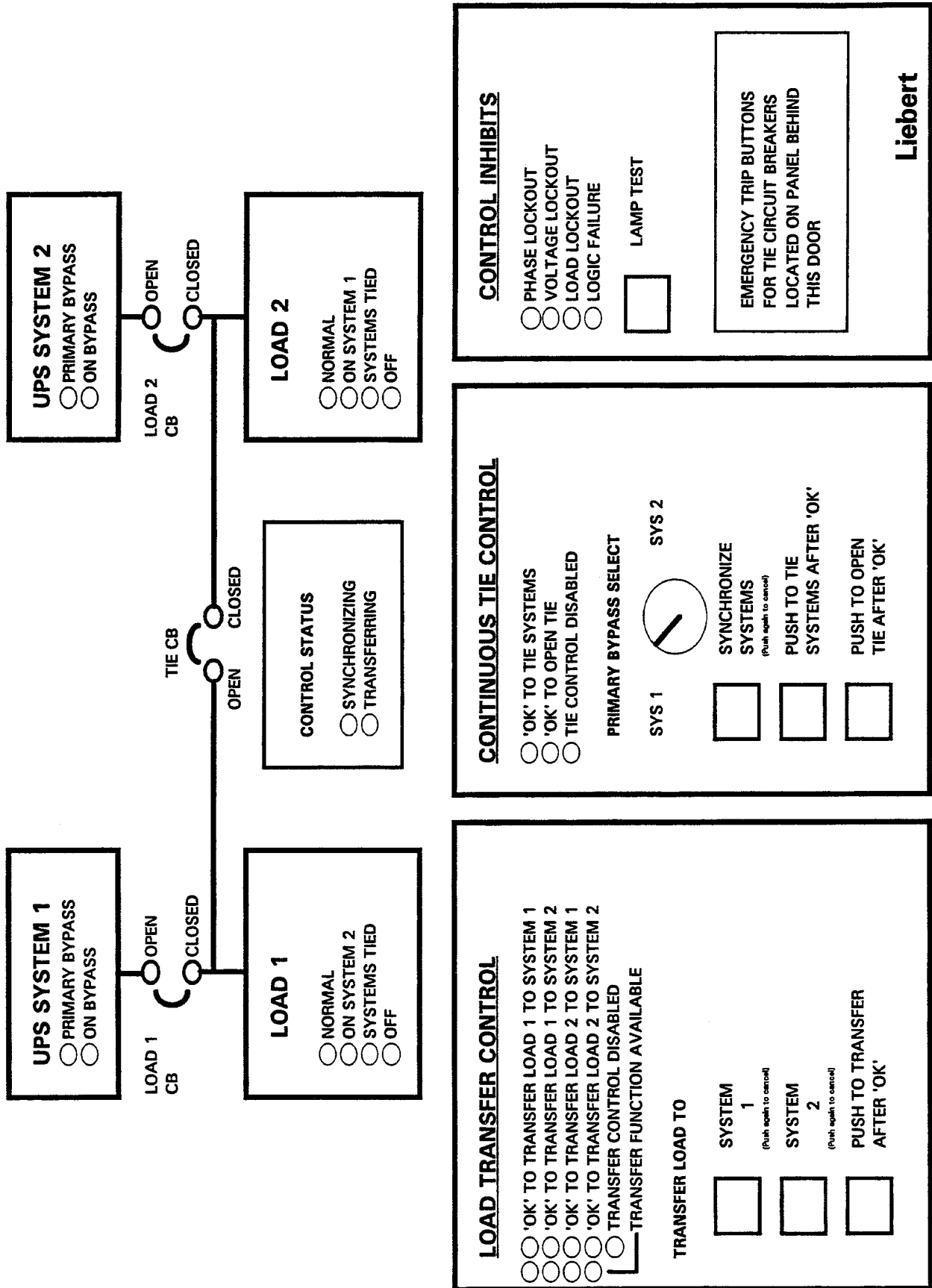


- (A) RECTIFIER AC INPUT
- (B) UPS MODULE AC OUTPUT
- (C) UPS MODULE DC INPUT
- (D) SYSTEM CONTROL CABINET AC INPUT
- (E) UPS SYSTEM AC OUTPUT
- (F) CRITICAL BUS AC OUTPUT
- (G) MODULE BATTERY DISCONNECT TO BATTERY STRING
- (H) MAINTENANCE BYPASS AC INPUT
- (I) CRITICAL LOAD 1/2

DRG. NO. RC022244	DATE 02/22/94
ORDER NO.	TITLE ONE - LINE DIAGRAM POWER TIE SYSTEM



Figure 10 Control Panel



---

## 2.9.2 What Happens If a Logic Failure Occurs During Power Transfer

If a failure occurs before the power transfer, the Power-Tie logic inhibits the power transfer operation.

If a failure during the power transfer, one of the following occurs:

- If the failure occurs before overlap period has timed out, the Power-Tie logic returns the system to its initial configuration.
- If failure occurs after overlap period has expired (e.g., the isolating breaker has already been commanded to trip), the Power-Tie logic completes the transfer.
- If the power transfer does not complete (e.g., the isolating breaker fails to trip within an acceptable time period), the Power-Tie logic returns the system to its initial configuration.
- If the failure occurs after the transfer has occurred, the static bypass becomes the backup.

## 2.9.3 Hardware Failures

Improper operation of the Power-Tie controls causes most of the tie circuit breaker failures. The Power-Tie logic monitors the “Close” and “Open” sent to the circuit breakers. If the breaker command is not completed by the breaker within an acceptable time period, the Power-Tie logic takes corrective action. The Power-Tie implements corrective action based on the operation being performed and the current system configuration.

The Power-Tie logic takes protective action if a fault occurs on a UPS system during a load transfer or while the UPS systems are in continuous parallel operation. The Power-Tie logic takes action based on the current system configuration and the active operation to minimize the affects of the fault.

The Power-Tie controls add additional protection to the individual UPS systems. And, the protective controls of the individual UPS become an integral part of the overall fault protection scheme used by the Power-Tie controls.

## 2.10 Recommendations - Tie Circuit Breaker Selection

We recommend that you use circuit breakers from the same manufacturer as used in the facility. Choose insulated case or air-break types over molded-case type circuit breakers. Active sensing or remote control circuitry (e.g., UVR) are not required when the circuit breakers are closed.

Consider using non-automatic circuit breakers for continuous Power-Tie applications. The circuit breaker function should not be the primary fault limiting function. Using non-automatic circuit breakers eliminates a primary circuit breaker failure mode.

---

## 3.0 CONTROL PANEL DESCRIPTION

---

Refer to **Figure 5**.

### 3.1 Mimic Panel

The Mimic panel consists of the following:

- UPS SYSTEM 1 - PRIMARY BYPASS
- UPS SYSTEM 2 - PRIMARY BYPASS
- LOAD 1 CIRCUIT BREAKER
- LOAD 2 CIRCUIT BREAKER
- TIE CIRCUIT BREAKER
  
- LOAD 1 - NORMAL
- LOAD 1 - ON SYSTEM 2
- LOAD 1 - SYSTEMS TIED
- LOAD 1 - OFF
  
- LOAD 2 - NORMAL
- LOAD 2 - ON SYSTEM 1
- LOAD 2 - SYSTEMS TIED
- LOAD 2 - OFF
  
- CONTROL STATUS - SYNCHRONIZING
- CONTROL STATUS - TRANSFERRING

#### **UPS System 1 - Primary Bypass**

This light turns on when UPS System 1 is the selected Primary Bypass. When lit, the light indicates the UPS Modules of both UPS systems are synchronizing to the bypass of UPS System 1.

#### **UPS System 2 - Primary Bypass**

This light turns on when UPS System 2 is the selected Primary Bypass. When lit, the light indicates that the UPS Modules of both UPS systems are synchronizing to the bypass of UPS System 2.

#### **UPS System 1 - On Bypass**

This light turns on when UPS System 1 is on Bypass.

#### **UPS System 2 - On Bypass**

This light turns on when UPS System 2 is on bypass.

#### **Load 1 Circuit Breaker**

These two lights indicate the OPEN (Red light) or CLOSED (Green light) state of the Load 1 circuit breaker.

#### **Load 2 Circuit Breaker**

These two lights indicate the OPEN (Red light) or CLOSED (Green light) state of the Load 2 circuit breaker.

#### **Tie Circuit Breaker**

These two lights indicate the OPEN (Red light) or CLOSED (Green light) state of the Tie circuit breaker.

---

### **Load 1 - Normal**

This light indicates that Load 1 is being supplied by UPS System 1. Load 1 supplied by UPS system 1 represents the normal operating mode.

### **Load 1 - On System 2**

This light indicates that Load 1 is being supplied by UPS System 2 through the Tie circuit breaker.

### **Load 1 - Systems Tied**

This light indicates that Load 1 is being supplied by both UPS Systems which share the combined loads.

### **Load 1 - Off**

This light indicates that Load 1 is isolated from both UPS Systems.

### **Load 2 - Normal**

This light indicates that Load 2 is being supplied by UPS System 2. Load 2 supplied by UPS system 2 represents the normal operating mode

### **Load 2 - On System 1**

This light indicates that Load 2 is being supplied by UPS System 1 through the Tie circuit breaker.

### **Load 2 - Systems Tied**

This light indicates that Load 2 is being supplied by both UPS Systems which share the combined loads.

### **Load 2 - Off**

This light indicates that Load 2 is isolated from both UPS Systems.

### **Control Status - Synchronizing**

This light indicates that the UPS Systems are currently synchronizing to the selected bypass line.

### **Control Status - Transferring**

This light indicates that the controls are transferring a load from one system to the other system.

## **3.2 Load Transfer Controls**

This section of the control panel gives indications and allows control of load transfers between the UPS Systems.

### **OK to Transfer Load 1 to System 1**

This light indicates that it is safe to transfer Load 1 from UPS System 2 to UPS System 1. The transfer occurs when the PUSH TO TRANSFER AFTER OK button is pressed, but only if this light is on.

### **OK to Transfer Load 1 to System 2**

This light indicates that it is safe to transfer Load 1 from UPS System 1 to UPS System 2. The transfer occurs when the PUSH TO TRANSFER AFTER OK button is pressed, but only if this light is on.

### **OK to Transfer Load 2 to System 1**

This light indicates that it is safe to transfer Load 2 from UPS System 2 to UPS System 1. The transfer occurs when the PUSH TO TRANSFER AFTER OK button is pressed, but only if this light is on.

---

## **OK to Transfer Load 2 to System 2**

This light indicates that it is safe to transfer Load 2 from UPS System 1 to UPS System 2. The transfer occurs when the PUSH TO TRANSFER AFTER OK button is pressed, but only if this light is on.

## **Transfer Control Disabled**

This light indicates that load transfers are not allowed because the systems are currently being put in parallel operation.

## **Transfer Function Available**

The Transfer Function Available lights indicate the transfer options the operator has available based on the current system configuration.

## **Transfer Function Available - OK to Transfer Load 1 to System 1**

This light indicates that the systems are in a configuration where a transfer of load 1 from UPS System 2 to UPS System 1 can be attempted.

## **Transfer Function Available - OK to Transfer Load 1 to System 2**

This light indicates that the systems are in a configuration where a transfer of load 1 from the UPS System 1 to UPS System 2 can be attempted.

## **Transfer Function Available - OK to Transfer Load 2 to System 1**

This light indicates that the systems are in a configuration where a transfer of load 2 from UPS System 2 to UPS System 1 can be attempted.

## **Transfer Function Available - OK to Transfer Load 2 to System 2**

This light indicates that the systems are in a configuration where a transfer of load 2 from UPS System 1 to UPS System 2 can be attempted.

## **Transfer Load To - System 1**

When this button is pressed, it initiates a sequence to allow a load transfer to UPS System 1. The transfer to be performed is automatically determined by the current state of the Tie and Load circuit breakers. The button turns on indicating that the sequence is armed. When the control logic determines all conditions for a safe transfer have been met, it turns on the appropriate OK TO TRANSFER light.

## **Transfer Load To - System 2**

When this button is pressed it initiates a sequence to allow a load transfer to UPS System 2. The transfer to be performed is automatically determined by the current state of the Tie and Load circuit breakers. The button turns on indicating that the sequence is armed. When the control logic determines that all conditions for a safe transfer have been met, it turns on the appropriate OK TO TRANSFER light.

## **Push to Transfer After OK**

This button starts the transfer after the OK TO TRANSFER light turns on.

## **3.3 Continuous Tie Control**

This section of the control panel provides indicators and controls for the control of tied systems functions.

### **OK to Tie Systems**

This light indicates that it is safe to tie UPS Systems 1 and 2 together. The systems are tied after the PUSH TO TIE SYSTEMS AFTER OK button is pressed, but only if this light is on.

---

### **OK to Open Tie**

This light indicates that it is safe to separate UPS Systems 1 and 2. The Tie circuit breaker opens after the PUSH TO OPEN TIE AFTER OK button is pressed, but only if this light is on.

### **Tie Control Disabled**

This light indicates that the tie controls are disabled because the systems are transferring a load.

### **Primary Bypass Select**

This switch is used to select which systems bypass to synchronize with when a tie sequence is initiated. It is also the bypass source the Loads will be transferred to should a fault occur while the systems are in parallel operation.

### **Synchronize Systems**

This button is used to begin and end a tied systems operation. When the SYNCHRONIZE SYSTEMS BUTTON is first pressed the button will turn on indicating that tied systems operation is desired.

The systems synchronize to the bypass source selected by the PRIMARY BYPASS SELECT switch. Once the systems are synchronized and all other conditions to safely tie the systems have been met the OK TO TIE SYSTEMS light turns on.

Press the PUSH TO TIE SYSTEMS AFTER OK button to close the appropriate circuit breaker to put the systems in parallel. To separate tied systems press this button again. The light turns off indicating the tied condition is no longer desired.

If it is safe to separate the systems the OK TO OPEN TIE light turns on. Press the PUSH TO OPEN TIE AFTER OK button to open the Tie breaker. Both UPS systems will resume independent operation.

### **Push to Tie Systems After OK**

Once the OK TO TIE SYSTEMS turns on, pressing this button closes the appropriate circuit breaker to tie the systems.

### **Push to Open Tie After OK**

Once an OK TO OPEN TIE turns on, pressing this button opens the Tie circuit breaker to separate the systems.

## **3.4 Control Inhibits**

This section of the control panel provides alarm indicators which prevent transfers and parallel operation of the UPS systems.

### **Phase Lockout**

This light indicates the systems are not synchronized. It is a waveform-based redundant check of synchronization. The primary sync indicator is based on UPS module sync bus coincidence.

This light normally turns on while the systems are synchronizing prior to a Tie or Transfer operation. If the light does not turn off, contact Liebert Customer Service and Support for assistance.

### **Voltage Lockout**

This light indicates the system voltages are too far apart to allow safe transfers and parallel operation of the UPS systems. To correct this condition, adjust the UPS system voltage to proper levels.

If both system voltages are adjusted correctly, and the PHASE LOCKOUT alarm is not present, then check the voltage detection circuitry. Contact Liebert Customer Service and Support for assistance.

---

### **Load Lockout**

This light indicates insufficient UPS capacity to perform the selected operation. The control logic intelligently checks the UPS systems and the Loads based on the specific operation in progress.

Verify UPS capacity and shed load as necessary until UPS capacity is not bang exceeded. If UPS capacity is sufficient, then check the load/capacity detection circuitry. Contact Liebert Customer Service and Support for assistance.

### **Logic Failure**

This light indicates that a logic failure has occurred. No Tie operations are allowed while this condition exists.

Check all tie control logic functions to determine the source of the fault. Contact Liebert Customer Service and Support for assistance.

### **Lamp Test**

This button is pressed to check all indicators on the MIMIC and CONTROL PANEL.

## **3.5 Manual Controls**

These controls are located on a panel behind the Control Panel door. They are provided to assist in initial system start-up and provide emergency manual breaker trip capability. During normal operations they should not need to be used.

### **Close Load 1**

This button closes the Load 1 circuit breaker during start-up. It only functions if the Tie breaker is open.

### **Close Load 2**

This button closes the Load 2 circuit breaker during start-up. It only functions if the Tie breaker is open.

### **Trip Load 1**

This button is used to manually trip the Load 1 circuit breaker and is provided for emergency purposes.

The light on this push button will go out when load is being supplied through the breaker. Pressing this button when the light is out will result in loss of power to an on-line load.

### **Trip Load 2**

This button is used to manually trip the Load 2 circuit breaker and is provided for emergency purposes.

The light on this push button will go out when load is being supplied through the breaker. Pressing this button when the light is out will result in loss of power to an on-line load.

### **Trip Tie**

This button is used to manually trip the Tie circuit breaker and is provided for emergency purposes.

---

## 4.0 OPERATING INSTRUCTIONS

---

Refer to **Figure 5**.

### 4.1 Initial System Start-Up

All load circuit breakers and tie circuit breakers are initially open.

1. Press the CLOSE LOAD 1 button located on the panel behind the Control door. The Load 1 breaker should close when the button is pressed.
2. Press the CLOSE LOAD 2 button located behind the Control door. The Load 2 breaker should close when the button is pushed.



#### NOTE

*The operation can be performed with the UPS on bypass or inverter output. The Power-Tie logic confirms that the Tie breaker is open to prevent inadvertently putting the systems in parallel.*

3. Once one or both UPS systems are on-line, a transfer of either critical load between systems or a continuous tie operation can be performed subject.

### 4.2 Basic Operation

#### Momentary Tie - Load Transfers

A Momentary tie operation is used to transfer a critical load from a UPS system, which requires isolation for maintenance, to another UPS system without placing the critical load on utility bypass.

The isolated UPS system can be serviced while the critical load remains protected by a fully functional UPS system. Once service is complete, perform another Momentary tie operation to return the critical load to its normal UPS system. This can be done without placing the critical load on utility bypass.

#### 4.2.1 Normal Transfer Operation Configurations

Transfers of a critical load between systems can be performed from several initial system configurations. The guiding criteria for permitting transfers is that the critical load must remain on UPS inverter output.

Transfers to a UPS system operating on its bypass source cannot be initiated due to logic lockouts. However, a critical load initially on a UPS system's bypass source can be transferred to the other UPS system operating on inverter output.

In addition to checking system configurations, the Power-Tie logic uses three independent criteria for verifying synchronization. The Power-Tie logic verifies system voltages are within proper limits. And the Power-Tie logic verifies the UPS system which will accept the additional load has sufficient UPS capacity.

The logic intelligently determines which system to synchronize with, which UPS system capacity to check, and which load(s) to check, based on which system the operator selects to transfer load. The Power-Tie logic "knows" the present system configuration.

The Power-Tie logic automatically returns both UPS systems to independent operation by resynchronizing them to their own bypass source and separating all control loops between the systems when the transfer is complete.

#### Maintenance Procedures - Isolating Each UPS System

Power-Tie system capabilities permit each UPS system to be completely isolated for service while its load continues to be powered and protected by the other UPS system. In addition, since all controls of each system are electrically isolated from the other system, any operation or fault on the system being serviced does not affect the system supplying the combined loads.



---

## Isolating a UPS System for Maintenance - Combined Loads Operation

Both Load circuit breakers are initially closed and the Tie circuit breaker initially open. The Tie circuit breaker is closed if the UPS systems are currently in parallel operation.

1. Select the UPS system that will carry both loads by pressing the appropriate SYSTEM button in the LOAD TRANSFER CONTROL section of the control panel. If System 2 is to be isolated then the press the SYSTEM 1 button. Load 2 will be transferred to System 1.
2. Wait for the OK TO TRANSFER LOAD light to turn on. If System 2 is to be isolated then the OK TO TRANSFER LOAD 2 TO SYSTEM 1 light should turn on when it is safe to perform the transfer.
3. Once the OK indication is received, press the PUSH TO TRANSFER AFTER OK button and the transfer will be performed. If System 2 is to be isolated then the Tie breaker will close. Then, the Load 2 circuit breaker opens after the overlap period times out.
4. The isolated UPS system (System 2) can now be safely serviced.

## Transfer of Load Between Two Systems

This procedure may be performed from three initial states:

- Tie circuit breaker is open and both load circuit breakers are closed.
- Both loads are on System 1.
- Both loads are on System 2. The UPS system losing the load may be on UPS or Bypass. The UPS system accepting the load must be on UPS.

1. Select the UPS system to carry the transfer load. Press the TRANSFER LOAD TO SYSTEM (#) button. If you want to transfer Load 2 to System 1, press the "SYSTEM 1" button. Both systems synchronize to the bypass of the system receiving the additional load.

The SYNCHRONIZING light in the CONTROL STATUS section of the mimic turns on while the systems are synchronizing. The light turns off when the sync lines (bypass and oscillator) are dead.

At this point the OK TO TRANSFER LOAD (#) TO SYSTEM (#) light should turn on if there are no inhibits. If Load 2 can be transferred to System 1, the OK TO TRANSFER LOAD 2 TO SYSTEM 1 light turns on.



### NOTE

*When a transfer sequence is initiated, the Tie controls are locked out and the TIE CONTROL DISABLED light turns on.*

2. After the OK TO TRANSFER LOAD (#) TO SYSTEM (#) light turns on, press the PUSH TO TRANSFER AFTER OK button to transfer the load. The proper circuit breaker closes and, after a delay, the proper isolating circuit breaker opens.

While the systems are tied the Load Sharing and Voltage Adjust Controls will also be tied between the systems. The LOAD TRANSFERRING light turns on to tell the operator that a transfer is in progress.

Once transfer is complete, the systems return to their own internal sync, the current share and voltage adjust controls separate, the TRANSFERRING and TIE CONTROL DISABLED lights turn off. The SYSTEM (#) push-button light turns off and the NORMAL status light turns on.

All load transfers follow this same procedure. The logic knows whether Load 2 is to be transferred from System 2 to System 1 or Load 1 is being returned to System 1. The SYSTEM 1 button is pressed for both operations because the systems' initial configuration make only one choice possible.

---

## Returning an Isolated System to Normal Operation - End Combined Loads Operation

One Load circuit breaker and the Tie circuit breaker are closed. The Load circuit breaker of the isolated system which was being serviced will open.

1. Select the UPS system to accept the load. Press the TRANSFER LOAD TO SYSTEM (#). If System 2 had been isolated then press the SYSTEM 2 button. Load 2 will be returned to System 2.
2. Wait for the OK TO TRANSFER LOAD light to turn on. If System 2 was isolated then the OK TO TRANSFER LOAD 2 TO SYSTEM 2 light should turn on when it is safe to perform the transfer.
3. After the OK TO TRANSFER LOAD 2 TO SYSTEM 2 light turns on, press the PUSH TO TRANSFER AFTER OK button. The transfer will be performed. If System 2 was isolated then the Load 2 breaker will close and the Tie circuit breaker opens after the overlap period times out.
4. Both UPS systems will now be supplying their normal Load and operating independent of each other.

## Maintenance Procedures - Maintaining Power-Tie Components

Refer to the procedures in **Maintenance Procedures - Isolating Each UPS System** to isolate the UPS's load circuit breaker and the associated downstream feeders for service.

By using downstream switchover devices for the individual critical loads, such as ATSS or dual input PDUs, the load feeder components to be maintained are de-energized. All critical load operations are transferred to the feeder which will power the combined loads.

There are three approaches to maintaining the Tie circuit breaker and its associated circuit components depending on the convenience and isolation desired.

1. Single fixed-mount Tie circuit breaker  
Complete UPS system and critical loads must be placed on a reliable maintenance bypass source (e.g., standby engine-generator) to de-energize the Tie circuit breaker.  
Using appropriate safety equipment and procedures, the Tie circuit breaker can be serviced while remaining energized.
2. Single drawout Tie circuit breaker  
Drawout mechanism permits servicing the Tie circuit breaker and associated circuitry while the Power-Tie system is in its normal mode of operation.  
To de-energize the drawout carriage plug-in stubs and buswork, however, one feeder at a time must be isolated for service. Refer to **Maintenance Procedures - Isolating Each UPS System**.  
Using appropriate safety equipment and procedures, these components can be serviced while remaining energized.
3. Two Tie circuit breakers in series—Fixed-mount or Drawout  
By using two Tie circuit breakers in series, each circuit breaker and its associated buswork can be conveniently and completely de-energized for service. Refer to **Maintenance Procedures - Isolating Each UPS System**.  
Using appropriate safety equipment and procedures, these components can be serviced while remaining energized.

## Maintenance Procedures - Tie Control Logic Components

Unless the controls are in a continuous parallel mode or currently in the process of transferring a load, it is possible to service the Tie controls by taking a few precautions. Since all control signals are isolated, they can be safely de-energized for maintenance without affecting the UPS systems.

---

## Abnormal Operations

### Improper Transfer

Transfers can not be performed unless the OK TO TRANSFER LOAD (#) TO SYSTEM (#) light turns on. This makes it difficult to begin an improper transfer.

The source feeding the UPS modules does not matter because the UPS inverter output is isolated from the rectifier.

The logic permits transfers to and from a UPS system with the UPS modules running on Utility, Battery, or Engine-generator so long as the system accepting the load is running on inverter output.

Synchronization is verified by forcing the system to meet three independent criteria. First, all on-line module oscillators must be synchronized. Second, the voltage zero crossings must be within tolerance. Third, the instantaneous voltage differential between UPS system voltages must be within tolerance. But, regardless of synchronization status, a critical load will not be allowed to transfer to a system running on its bypass source. Transfers from a bypass source to a system on UPS is permitted.

### Circuit Breaker Failure

If a “Close” or “Open” command to a circuit breaker fails to return a confirmation of completion within an acceptable time period the Power-Tie logic initiates corrective actions based on the system’s initial state and current state.

### Loss of Tie Controls

Since UPS system independence has been stressed throughout the design of this Power-Tie configuration, complete loss of Tie Controls will not affect either UPS system operating in any Momentary Tie (Combined Loads Mode) configuration.

### Trouble Recovery

While failures are extremely unlikely, the Power-Tie system has been designed to restart from any system operating mode once the fault has been corrected. Refer to **1.2.5 - Modes of Operation** for a description of the operating modes.

## 4.2.2 Continuous Tie-Systems

A UPS system that has lost one or more modules can be taken off-line for service. The UPS system with partial capacity can be continuously tied to the other UPS system and the critical loads of both systems are protected by the single, fully redundant UPS. When service is complete the UPS module(s) can be brought on-line again and the system separated, without placing a critical load on the Bypass source.

### Normal Operating Configuration

Initially both load isolation breakers are closed. The Tie breaker is open. Both UPS systems are on inverter output. See **Figure 5**.

Once the Tie operation is initiated the systems synchronize to the selected Primary Bypass source.

The Power-Tie logic checks the system configurations, verifies synchronization, verifies system voltages are within proper limits, and verifies that the on-line UPS modules of both system have sufficient capacity to maintain the combined loads before allowing the systems to be tied.

---

## Tying the UPS Systems - Continuous Parallel Operations

Both load isolation circuit breakers will be initially closed and the Tie circuit breaker initially open. The Tie circuit breaker is closed if the systems are in a combined loads mode. Both UPS systems will be on inverter output.

1. Select the Primary Bypass source for the combined systems with the PRIMARY BYPASS SELECT switch in the CONTINUOUS TIE CONTROL section of the control panel. If System 1 will be the Primary Bypass then the switch should be in the SYS1 position.
2. Press the SYNCHRONIZE SYSTEMS button in the CONTINUOUS TIE CONTROL section of the control panel. The push button turns on.
3. Wait for the OK TO TIE SYSTEMS light to turn on.
4. After the OK TO TIE SYSTEMS light turns on, press the PUSH TO TIE SYSTEMS AFTER OK button. The Tie breaker will close to put the systems in parallel operation.
5. Both systems will share both critical load feeders.

## Returning Parallel Systems to Normal Operation - End Continuous Tie

Both Load circuit breakers and the Tie circuit breaker will be initially closed.

1. Press the SYNCHRONIZE SYSTEMS button. The light turns off.
2. Wait for the OK TO OPEN TIE light to turn on.
3. Once the OK TO OPEN TIE light turns on, press the PUSH TO OPEN TIE AFTER OK button. The Tie circuit breaker opens, separating the systems.
4. Both UPS systems will supply their normal load feeders and operate independent of each other.

## Maintenance Procedures - Tie Control Logic and Power Components

Refer to the procedures in **Maintenance Procedures - Isolating Each UPS System** to isolate the UPS's load circuit breaker and the associated downstream feeders for service.

By using downstream switchover devices for the individual critical loads, such as ATSS or dual input PDUs, the load feeder components to be maintained are de-energized. All critical load operations are transferred to the feeder which will power the combined loads.

There are three approaches to maintaining the Tie circuit breaker and its associated circuit components depending on the convenience and isolation desired.

1. Single fixed-mount Tie circuit breaker  
Complete UPS system and critical loads must be placed on a reliable maintenance bypass source (e.g., standby engine-generator) to de-energize the Tie circuit breaker.  
Using appropriate safety equipment and procedures, the Tie circuit breaker can be serviced while remaining energized.
2. Single drawout Tie circuit breaker  
Drawout mechanism permits servicing the Tie circuit breaker and associated circuitry while the Power-Tie system is in its normal mode of operation.  
To de-energize the drawout carriage plug-in stubs and buswork, however, one feeder at a time must be isolated for service. Refer to **Maintenance Procedures - Isolating Each UPS System**.  
Using appropriate safety equipment and procedures, these components can be serviced while remaining energized.
3. Two Tie circuit breakers in series - Fixed-Mount or Drawout  
By using two Tie circuit breakers in series, each circuit breaker and its associated buswork can be conveniently and completely de-energized for service. Refer to **Maintenance Procedures - Isolating Each UPS System**.

Unless the controls are in a continuous parallel mode or currently in the process of transferring a load, it is possible to service the Tie controls by taking a few precautions. Since all control signals are isolated, they can be safely de-energized for maintenance without affecting the UPS systems.

---

## Abnormal Operations

### Improper Transfer

Transfers can not be performed unless the OK TO TRANSFER LOAD (#) TO SYSTEM (#) light turns on. This makes it difficult to begin an improper transfer.

The source feeding the UPS modules does not matter because the UPS inverter output is isolated from the rectifier.

The logic permits transfers to and from a UPS system with the UPS modules running on Utility, Battery, or Engine-generator so long as the system accepting the load is running on inverter output.

Synchronization is verified by forcing the system to meet three independent criteria. First, all on-line module oscillators must be synchronized. Second, the voltage zero crossings must be within tolerance. Third, the instantaneous voltage differential between UPS system voltages must be within tolerance. But, regardless of synchronization status, a critical load will not be allowed to transfer to a system running on its bypass source. Transfers from a bypass source to a system on UPS is permitted.

### Circuit Breaker Failure

If a “Close” or “Open” command to a circuit breaker fails to return a confirmation of completion within an acceptable time period the Power-Tie logic initiates corrective actions based on the system’s initial state and current state.

### Loss of Tie Controls

Should a failure occur while the UPS systems are tied, the Loads will be transferred to the selected Primary Bypass. And, the Load breaker to the other UPS system will be opened to prevent backfeed from the Primary Bypass. A failure in the Tie controls while the systems are separated has no effect on either UPS system since all control signals are isolated.

### Trouble Recovery

While failures are extremely unlikely, this system has been designed to allow restart from any system configuration once the fault has been corrected. Refer to **1.2.5 - Modes of Operation** for a description of the operating modes.

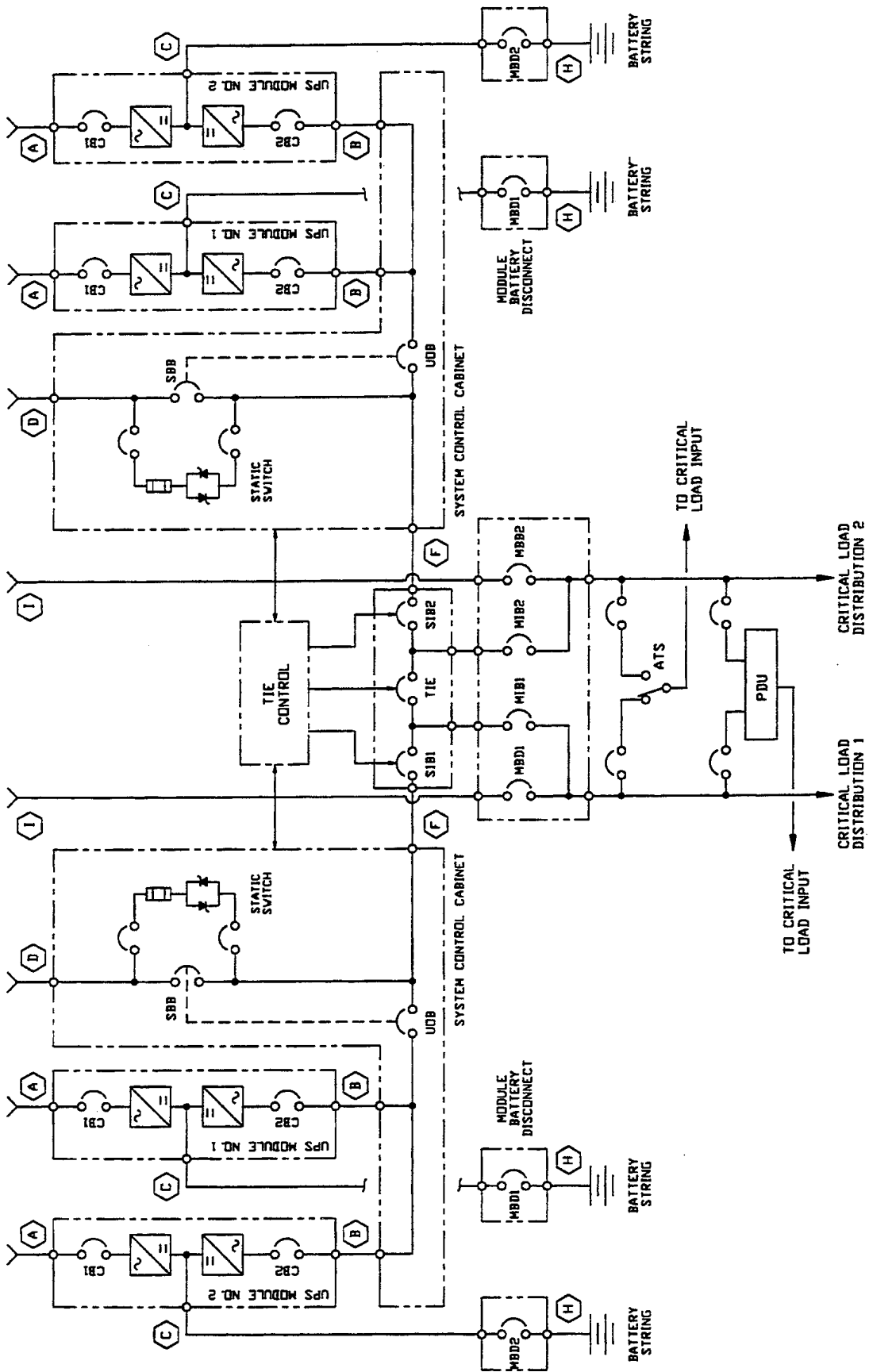
## 4.2.3 Isolation for Maintenance

See **Figure 11**.

Once the critical loads are transferred to the desired UPS, the maintenance bypass circuit breakers and isolation circuit breakers may be operated. The details of these isolation/maintenance operations are dependent on the specific arrangement of your switchboards. Typically, to assist maintenance personnel, maintenance circuit breaker operation is further guided by an electrical or electromechanical interlock system.

For detailed instructions for use of the maintenance bypass switchboard, refer to the Operation and Maintenance Manual for your Liebert Series 600 UPS.

Figure 11 Drawing Number RC022248

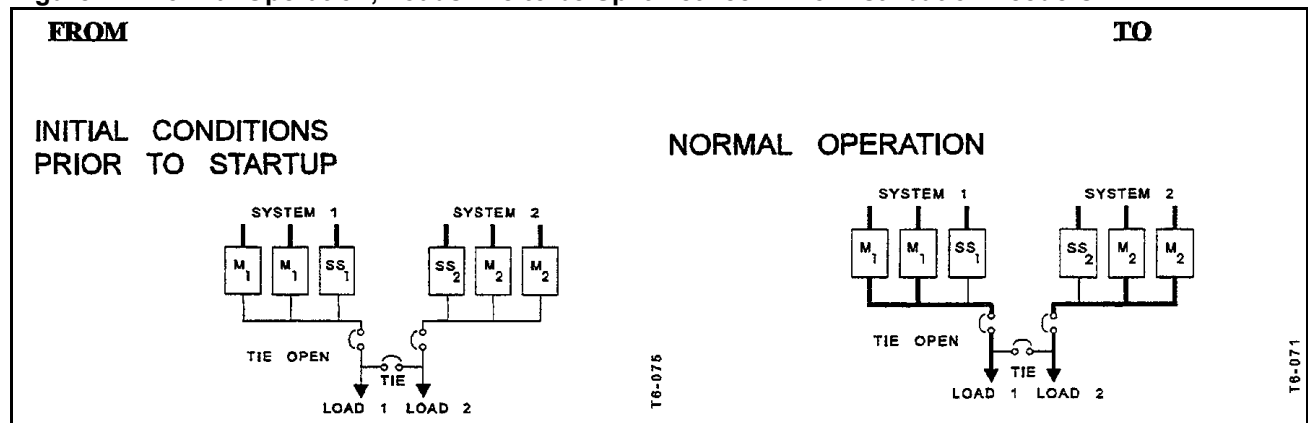


DRG. NO. RC022248		DATE 02/22/94	ORDER NO.	TITLE ONE - LINE DIAGRAM POWER TIE SYSTEM
----------------------	--	------------------	-----------	---

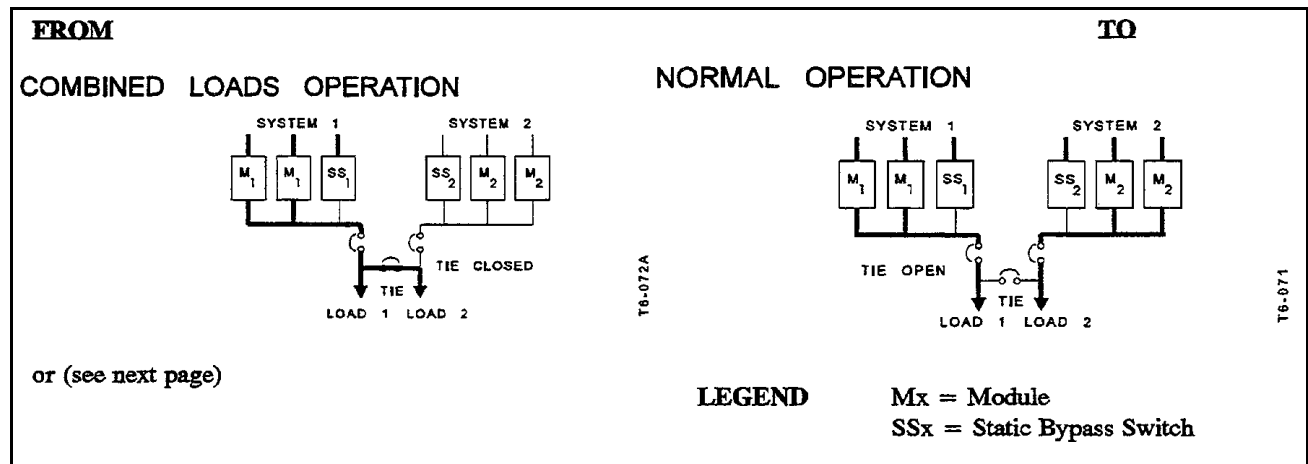
#### 4.2.4 Operation Scenarios/Transfer Procedures

Refer to the referenced section for the operational procedure to perform the indicated function.

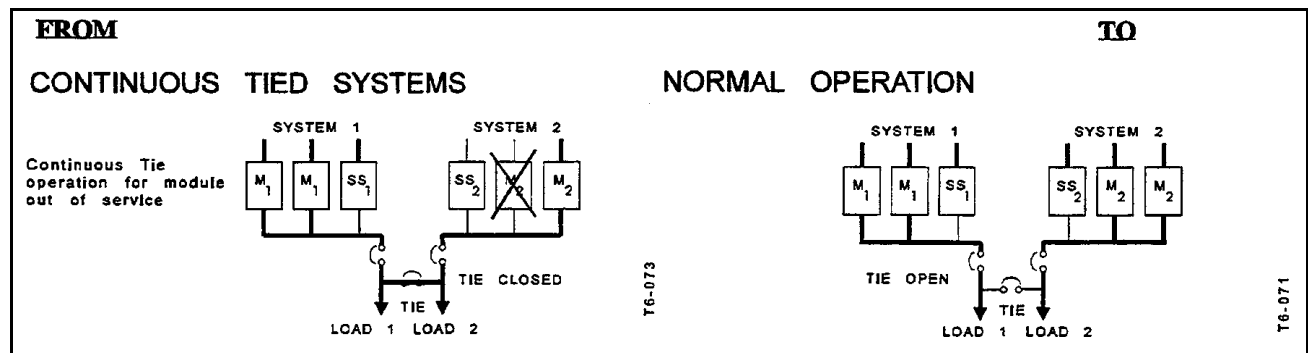
Figure 12 Normal Operation, Loads Are to be Split Between Two Distribution Feeders



From 4.1 - Initial System Start-Up

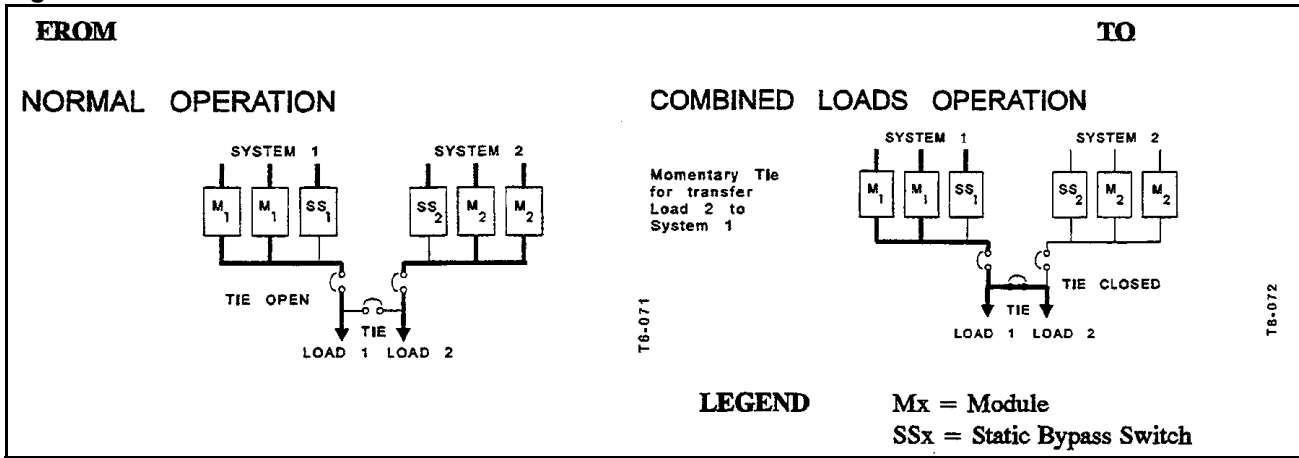


From Returning an Isolated System to Normal Operation - End Combined Loads Operation, in Section 4.2.1.



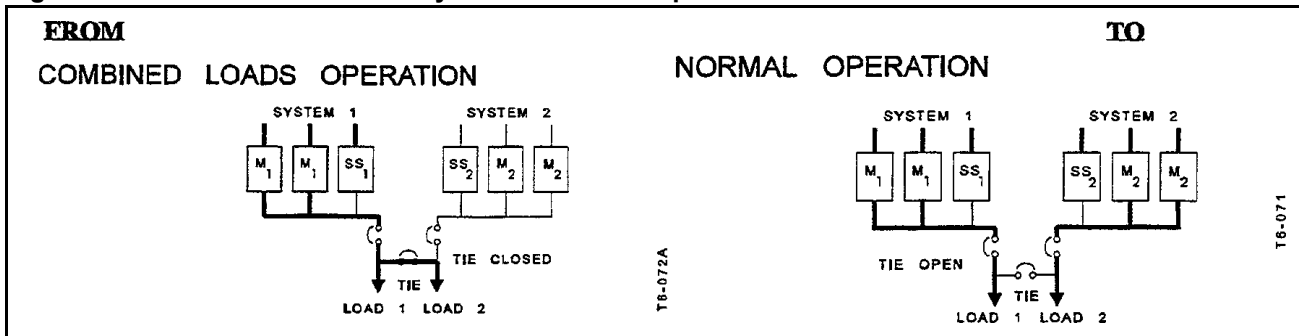
From Returning Parallel Systems to Normal Operation - End Continuous Tie, in Section 4.2.2.

**Figure 13 Transfer Both Load Feeders to One UPS**



See **Isolating a UPS System for Maintenance - Combined Loads Operation**, in Section 4.2.1.

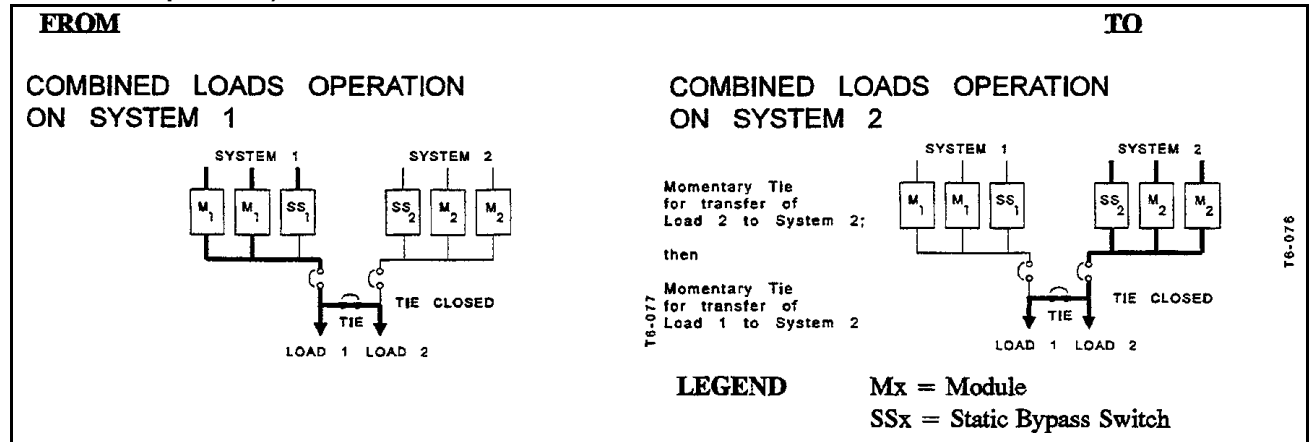
**Figure 14 Both Feeders on One System to Normal Operation**



See **Returning an Isolated System to Normal Operation - End Combined Loads Operation**, in Section 4.2.1.

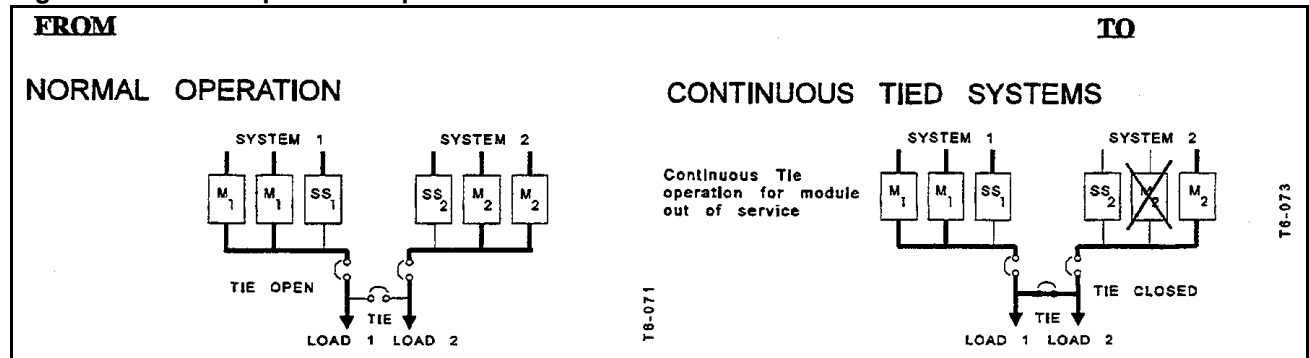


**Figure 15 Transfer 100% Load on One System to 100% Load on a Second System (This is a Two-Step Operation)**



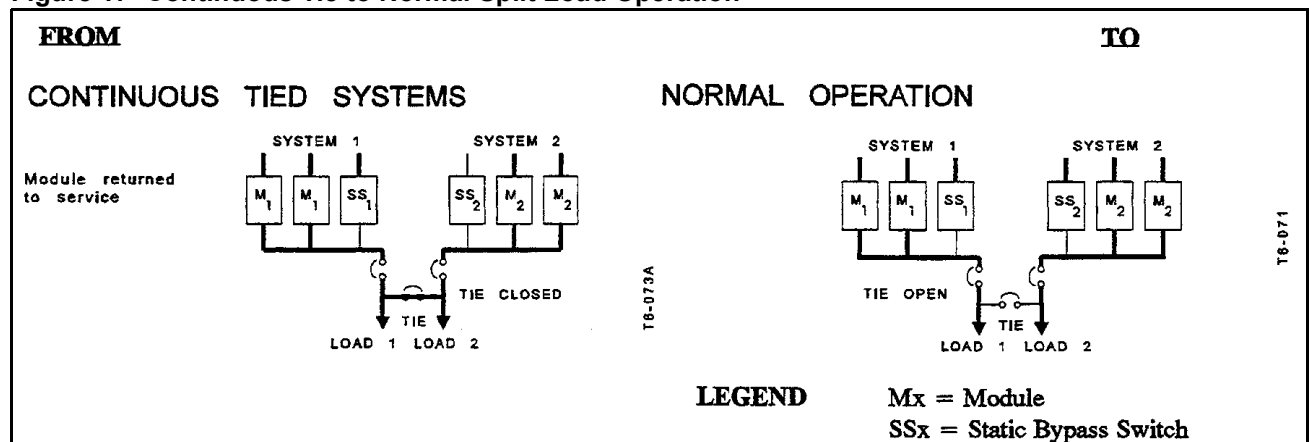
See Transfer of Load Between Two Systems, in Section 4.2.1.

**Figure 16 Normal Split Load Operations to Continuous Tie**



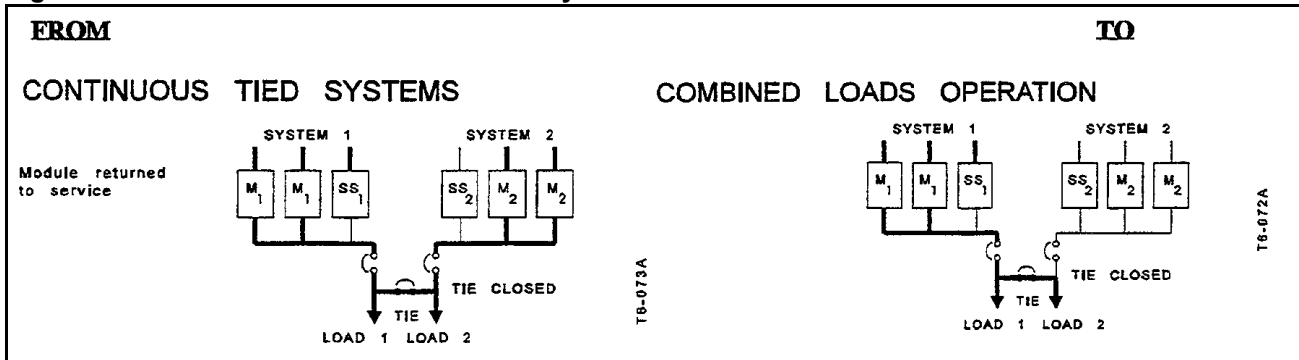
See Tying the UPS Systems - Continuous Parallel Operations in Section 4.2.2.

**Figure 17 Continuous Tie to Normal Split Load Operation**



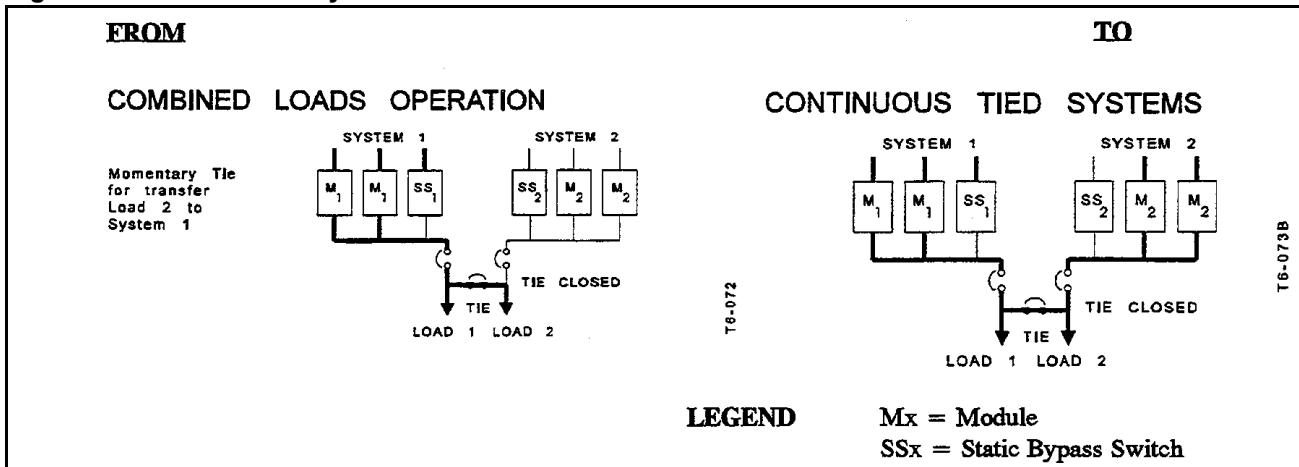
See Returning Parallel Systems to Normal Operation - End Continuous Tie in Section 4.2.2.

**Figure 18 Continuous Tie to Load on One System**



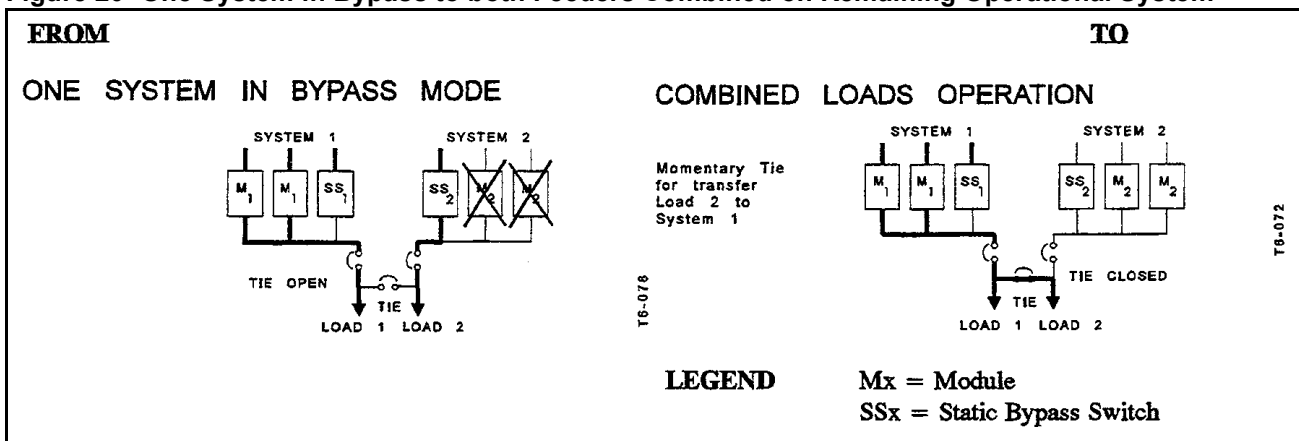
See **Isolating a UPS System for Maintenance - Combined Loads Operation** in Section 4.2.1.

**Figure 19 Load on One System to Continuous Tie**



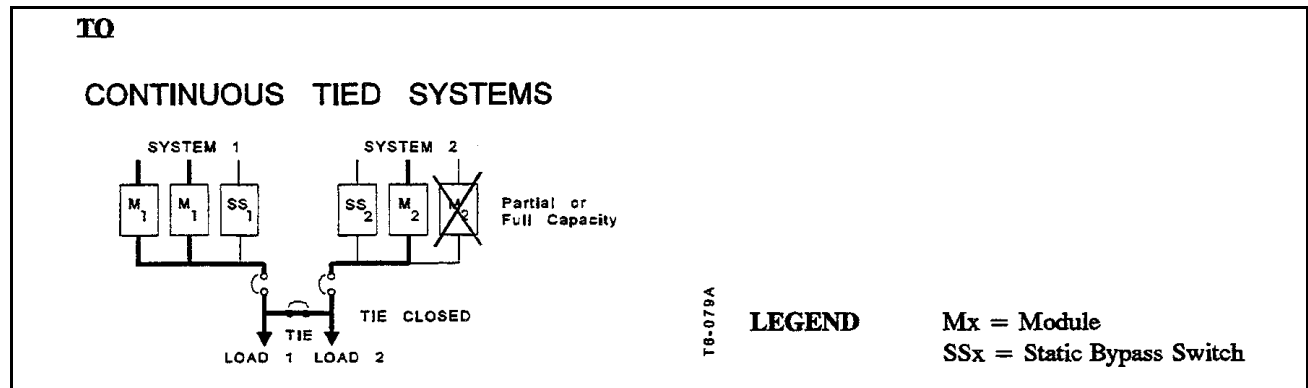
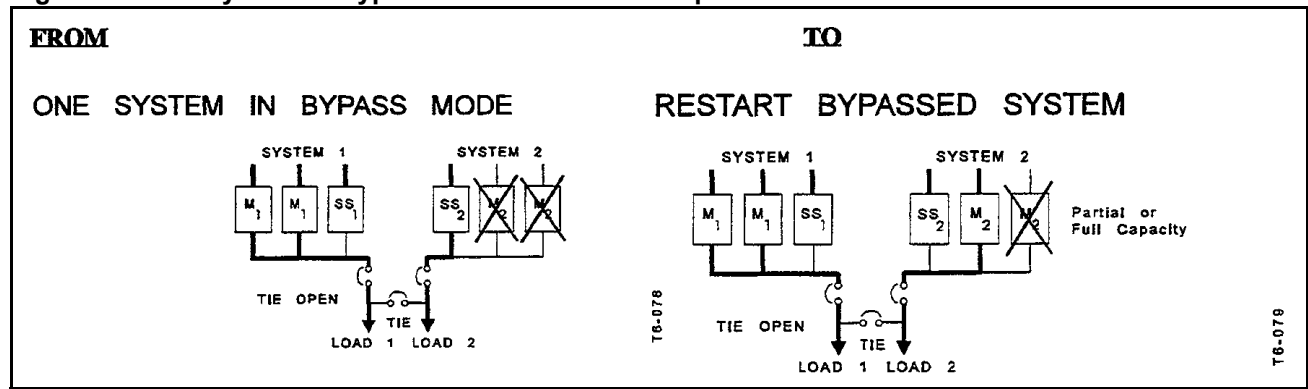
See **Tying the UPS Systems - Continuous Parallel Operations** in Section 4.2.2.

**Figure 20 One System in Bypass to both Feeders Combined on Remaining Operational System**

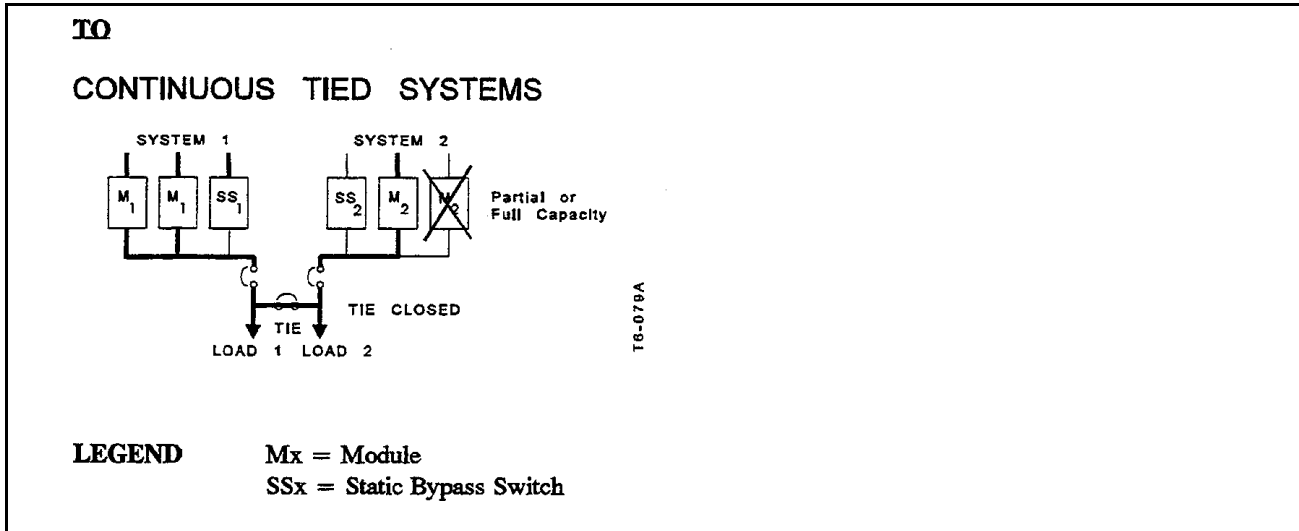
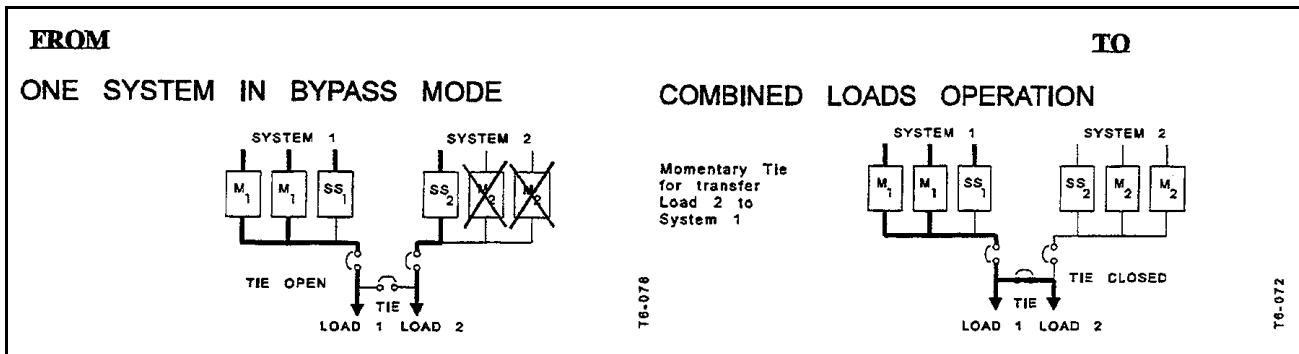


See **Maintenance Procedures - Isolating Each UPS System** in Section 4.2.1.

**Figure 21 One System in Bypass to Continuous Tie Operation**



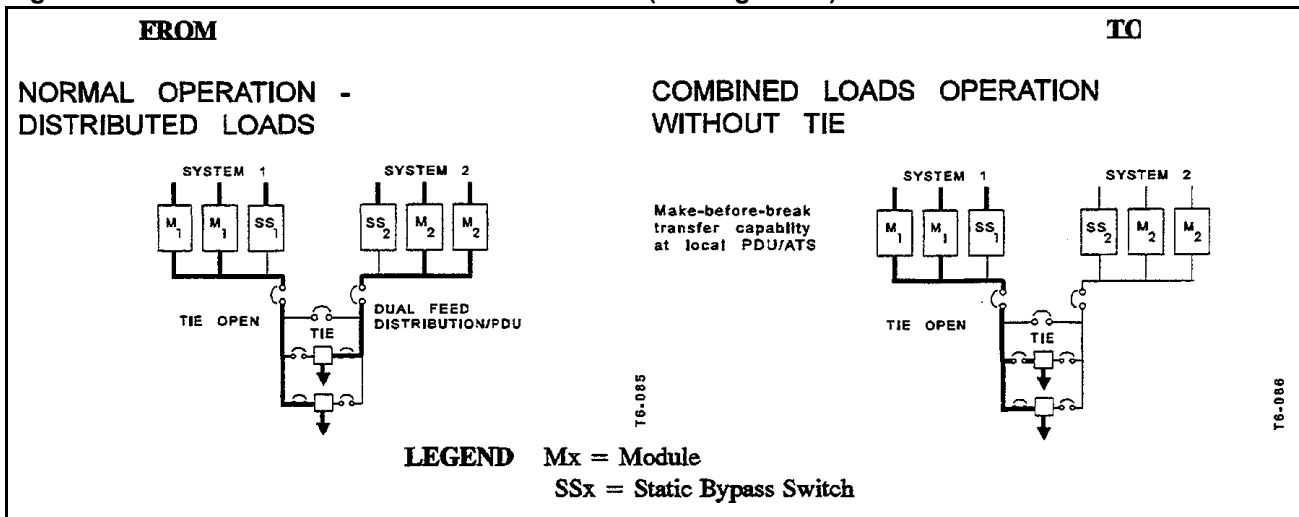
Restart the bypassed system, then use the procedures in **Tying the UPS Systems - Continuous Parallel Operations**, in Section 4.2.2 or see the two figures that follow this illustration.



Combined loads on one system—See **Isolating a UPS System for Maintenance - Combined Loads Operation** in Section 4.2.1; restart bypass system. Then use Continuous Tie procedures—**Tying the UPS Systems - Continuous Parallel Operations** in Section 4.2.2.

Restart one system, then refer to **Figure 21**. Or restart both systems, then refer to **Figure 16**.

**Figure 22 Transfer PDU or ATS Loads Without Tie (See Figure 19)**



---

Should your dual feeder distribution system be equipped with make-before-break dual input PDUs, ATs or similar devices, it is not necessarily required to tie the two systems together to perform a partial load transfer.

Provided that the bypass source of the two UPSs are normally in a near phase-match sync condition (e.g., utilize the same bypass source) the critical bus outputs of the two UPSs will also be maintained in a near phase-match. This phase-match is normally close enough ( $\pm 3$  degrees,  $\pm 5\%$  voltage difference) that utilizing make-before-break downstream devices will not require tying the two systems together prior to executing a make before-break transfer.

To utilize this capability two control functions must be implemented:

- First, the Tie Control Unit provides an isolated contact closure any time the two UPS output buses are within  $\pm 3$  degrees and  $\pm 5\%$  voltage difference. This contact closure signal must be provided to any downstream make-before-break device that may be utilized in this manner.
- Second, any downstream make-before-break switchover device must be provided with a local in-phase sensor.
- Third, make-before-break transfers utilizing local switchover devices only must only be permitted when both in-phase signals from the system Tie Control and the local in-phase sensor both provide an “OK to Transfer” signal.

If the “OK to Transfer” signal is not indicated due to a phase mismatch between systems, then a Continuous Tie operation (**Figure 16**) or a Combined Loads operation (**Figure 13**) must be performed prior to transferring downstream make-before-break devices.





## Series 600

### Multi-Module Uninterruptible Power System Continuous Power-Tie Configuration

### Technical Support

U.S.A.	1-800-222-5877
Outside the U.S.A.	614-841-6755
U.K.	+44 (0) 1793 553355
France	+33 1 4 87 51 52
Germany	+49 89 99 19 220
Italy	+39 2 98250 1
Netherlands	+00 31 475 503333
E-mail	upstech@liebert.com
Web site	<a href="http://www.liebert.com">http://www.liebert.com</a>
Worldwide FAX tech support	614-841-5471

### The Company Behind The Products

With more than 500,000 installations around the globe, Liebert is the world leader in computer protection systems. Since its founding in 1965, Liebert has developed a complete range of support and protection systems for sensitive electronics:

- Environmental systems: close-control air conditioning from 1.5 to 60 tons.
- Power conditioning and UPS with power ranges from 250 VA to more than 1000 kVA.
- Integrated systems that provide both environmental and power protection in a single, flexible package.
- Monitoring and control — on-site or remote — from systems of any size or location

Service and support, through more than 100 service centers around the world, and a 24-hour Customer Response Center.

While every precaution has been taken to ensure accuracy and completeness of this literature, Liebert Corporation assumes no responsibility, and disclaims all liability for damages resulting from use of this information or for any errors or omissions.

© 1998 Liebert Corporation. All rights reserved throughout the world. Specifications subject to change without notice.

® Liebert and the Liebert logo are registered trademarks of Liebert Corporation. All names referred to are trademarks or registered trademarks of their respective owners.

Printed in U.S.A.

SL-30030